

ASLONG[®]

Shenzhen Jinshunlaite Motor Co., Ltd.

Contact Person : Mrs. Maggie
Business Phone : 15818723921
WhatsApp : 86-15818723921
Skype : lijingmaggie@outlook.com
WeChat : 86-15818723921
Email : sales@aslongmotor.com



Company Profile



Shenzhen Jinshunlaite Motor co.,Ltd was established in 2005,its headquarters are in shenzhen.The company is a private enterprises which is specialized in producing micro motor and gear reducer.The products are mainly used in precision machinery,precise instruments,medical facility,banking equipment,vending machines,robotics industries.

Company has always adhered the management philosophy of “scientific and technological innovation,quality first” , “Attentively make every motor” is the basic norms of every employee.The company brand,ASLONG,Lays a solid foundation at home and abroad,and becomes the well-know professional brand in China.

12mm gear motor



JGA12-N20



JGA12-1024-N20



JGY-N20



JGY-N20S



JGA12-N10



JGA12-N10P



JGA12-N20-1000



JGA12-N20B



JGA12-N20set



JGA12-N20W



JGA12-N30



Applications

25mm gear motor



JGA25-310



JGA25-370



JGA25-370-25



JGA25-370B



JGA25-370



GJA25-370DGT



JGA25-370GB



JG25-370TC



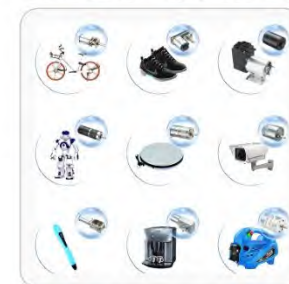
JGA25-2418



JGA25-2430



Application



Application

37mm gear motor



JGB37-500



JGB37-520



JGB37-520B



JGB37-545



JGB37-545B



JGB37-550



JGB37-555



JGB37-3157



JGB37-3525



JGB37-3530



JGB37-3530B



JGB37-3650

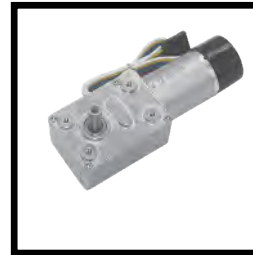
Worm gear motor



JGY370B



JGY370D



JGY370GB



JGY370S



JGY370SGB



JGY-2430



JGY385



JGY395



JGY2838



JGY370

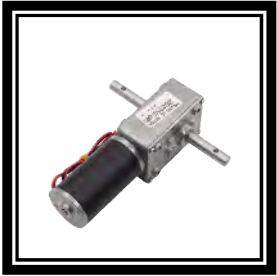


A5882-4260

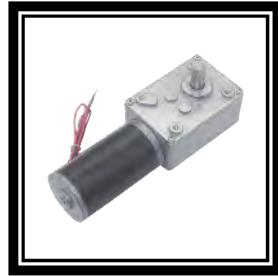


A5882-45

Worm gear motor



**A58SW-
31ZYYS**



5840-31ZY



5840-31ZYCS



5840-31ZYencoder



5840-31ZYS



5840-555



5840-555B



5840-555S



5840-555SB



5840-3650



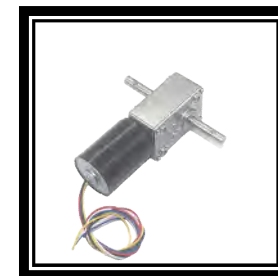
5840-3650-116



**5840-3650-
180**



**5840-3650-
CDtype**



5840-3650-SC



Application

Planetary gear motor



28MM



36MM



42MM



42stepper gearbox



PG16-030



PG16-050



PG28-385



PG28-2430



PG28-2838



PG32-31ZY



PG28-395B



PG42-775



PG22-2236



PG36-3650

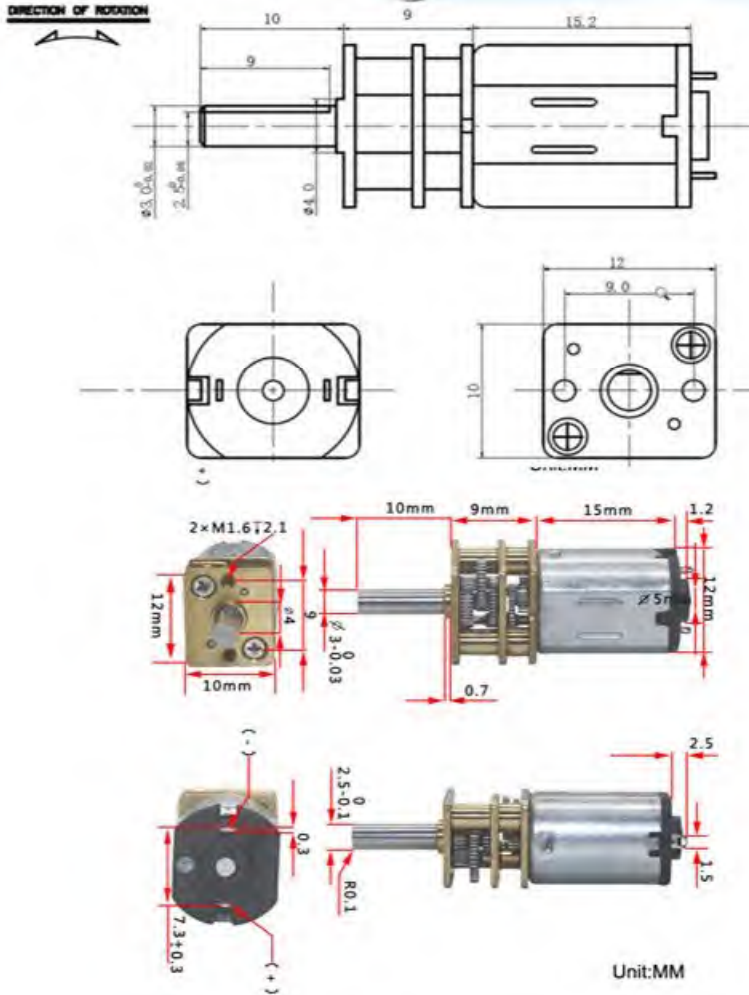


Application

Shenzhen Jinshunlaite Motor.,Ltd.

web : www.aslongdcmotor.com/www.aslongmotor.com

Email : sales@aslongmotor.com



N20 DC Gear Motor

Model:JGA12-N20

DC3V7500 Test Parameter:

Reduction Ratio	5	10	20	30	50	100	150	210	250	298	380	1000
No load Current (mA)	≤20	≤20	≤20	≤20	≤20	≤20	≤20	≤20	≤20	≤20	≤20	≤20
No load RPM	1500	750	750	250	150	75	50	35	30	25	20	7.5
Load torque g.cm	10	22	42	66	108	222	330	462	540	660	840	2220
Load RPM	1150	580	570	200	110	60	38	28	23	20	14	5.5
Load Current (mA)	≤100	≤100	≤100	≤100	≤100	≤100	≤100	≤100	≤100	≤100	≤100	≤100
Max Torque g.cm	18	36	70	110	180	370	550	770	900	1100	1400	3700
Stall Current (mA)	210	210	210	210	210	210	210	210	210	210	210	210

DC6V06150 Test Parameter:

Reduction Ratio	5	10	20	30	50	100	150	210	250	298	380	1000
No load Current (mA)	≤30	≤30	≤30	≤30	≤30	≤30	≤30	≤30	≤30	≤30	≤30	≤30
No load RPM	3000	1500	750	500	300	150	100	71	60	50	39	15
Load torque g.cm	22	44.0	88	132	221	440	662	924	1103	1300	1670	3000
Load RPM	2308	1154	577	384	231	115	77	55	46	39	30	11.5
Load Current (mA)	≤150	≤150	≤150	≤150	≤150	≤150	≤150	≤150	≤150	≤150	≤150	≤150
Max Torque g.cm	37	73	147	220	368	738	1103	1544	1838	2200	Forbid Locked	
Stall Current (mA)	300	300	300	300	300	300	300	300	300	300	Forbid Locked	

DC12V12300 Test Parameter:

Reduction Ratio	5	10	20	30	50	100	150	210	250	298	380	1000
No load Current (mA)	≤50	≤50	≤50	≤50	≤50	≤50	≤50	≤50	≤50	≤50	≤50	≤50
No load RPM	6000	3000	1500	1000	600	300	200	143	120	101	79	30.0
Load torque g.cm	33	66	132	180	330	660.0	990	1386	1650	1960	2500	3000
Load RPM	4615	2308	1154	770	462	231	154	110	92	77	61	23
Load Current (mA)	270	270	270	270	270	270	270	270	270	270	270	270
Max Torque g.cm	55	110	220	300	550	1100	1650	2310	2750	Forbid Locked		
Stall Current (mA)	550	550	550	550	550	550	550	550	550	Forbid Locked		

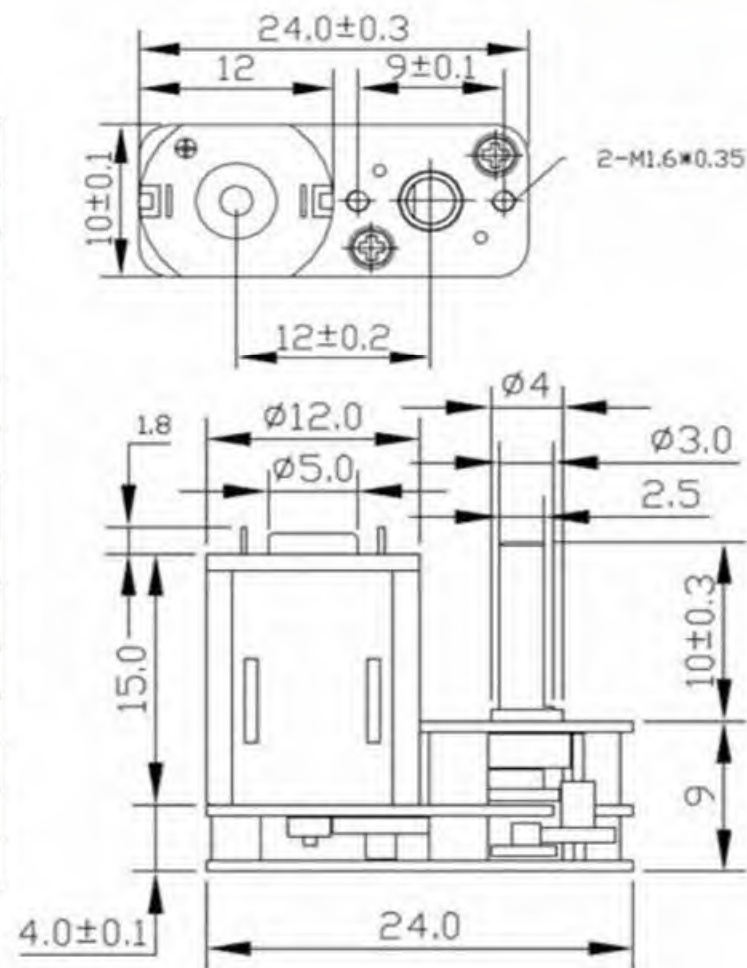


Shenzhen Jinshunlaite Motor., Ltd.
 web : www.aslongdcmotor.com/www.aslongmotor.com
 Email : sales@aslongmotor.com



Model:1024-N20

Model	Voltage		No load		On Load				Stall		Speed reducer	
	Workable	Rated	Speed	Current	Speed	Current	Torque	Output	Torque	Current	Ratio	Size
	Range	V	rpm	mA	rpm	mA	Kg.cm	w	kg.cm	mA	1:00	g
1024-n20	3-12v	6v	576	60	410	150	0.1	0.5	0.5	600	26	19
1024-n20	3-12v	6v	440	60	308	150	0.2	0.5	0.8	600	34	19
1024-n20	3-12v	6v	300	60	214	150	0.45	0.5	1.5	600	50	19
1024-n20	3-12v	6v	136	60	97	150	0.95	0.5	2.5	600	110	19
1024-n20	3-12v	6v	90	60	64	150	1.2	0.5	3	600	168	19
1024-n20	3-12v	6v	70	60	50	150	1.5	0.5	4	600	210	19
1024-n20	3-12v	6v	60	60	43	150	2	0.5	5	600	250	19
1024-n20	3-12v	6v	42	60	30	150	2	0.5	Ban locked		350	19
1024-n20	3-12v	6v	30	60	21	150	2	0.5			500	19
1024-n20	3-12v	6v	15	60	11	150	2	0.5			1000	23

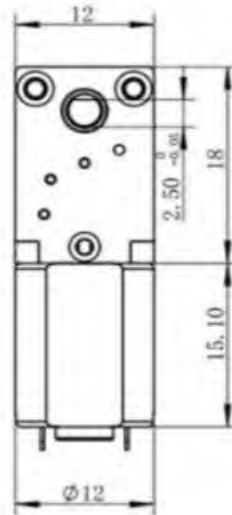
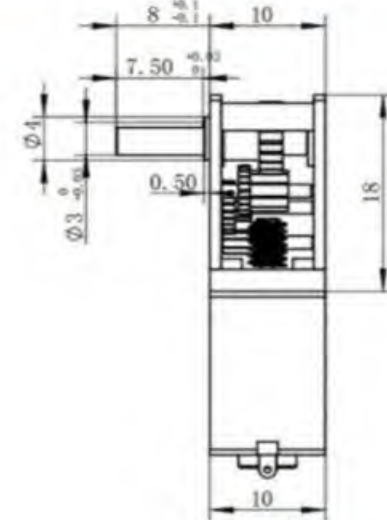
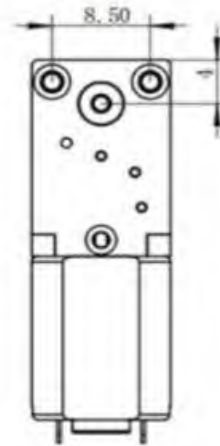
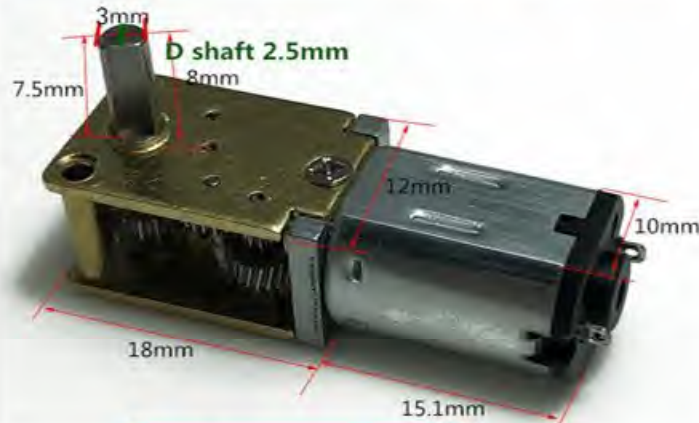




Shenzhen Jinshunlaite Motor.,Ltd.

web : www.aslongdcmotor.com/www.aslongmotor.com

Email : sales@aslongmotor.com



Mdel:JGY-N20

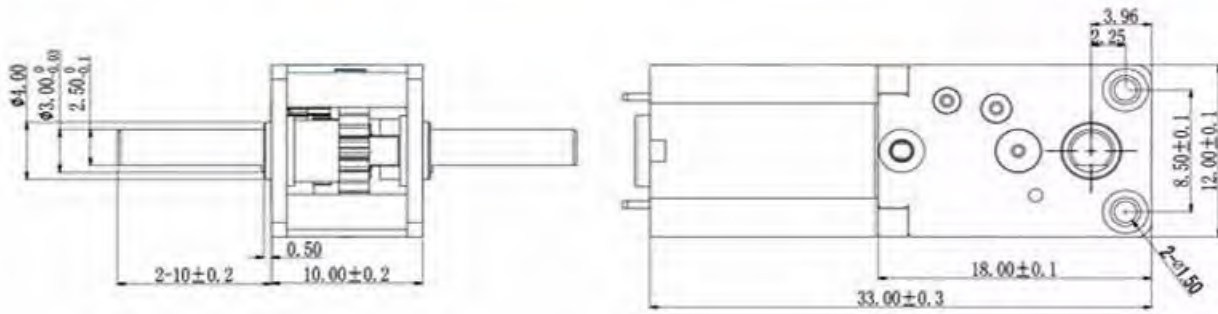
Model



Model	Voltage		No load		On Load				Stall		Reducer	
	Workable	Rated	Speed	Current	Speed	Current	Torque	Output	Torque	Current	Ratio	Speed
	Range	V	rpm	mA	rpm	mA	gf.cm	w	gf.cm	ma	1:00	rpm
JGY-N20	3V-12V	6	381	30	333	85	71	1.02	235.2	700	42	16000
JGY-N20	3V-12V	6	136	30	119	85	142	1.02	472	700	118	16000
JGY-N20	3V-12V	6	68	30	59	85	283	1.02	944	700	236	16000
JGY-N20	3V-12V	6	53	30	46	85	362	1.02	1208	700	302	16000
JGY-N20	3V-12V	6	27	30	23	85	579	1.02	1929.6	700	603	16000
JGY-N20	3V-12V	6	16	30	14	85	975	1.02	3251.2	700	1016	16000



Shenzhen Jinshunlaite Motor.,Ltd.
 web : www.aslongdcmotor.com/www.aslongmotor.com
 Email : sales@aslongmotor.com



Model:JGY-N20S

Model	Ratio	Rated	No load		On Load				Stall	
			Speed	Current	Speed	Current	Torque	Output	Torque	Current
	1:00	vort.v	rpm	mA	rpm	mA	Kg.cm	w	kg.cm	ma
12600	42	12	381	30	333	85	0.071	1	0.235	700
	118	12	136	30	119	85	0.142	1	0.472	700
	236	12	68	30	59	85	0.283	1	0.9441	700
	302	12	53	30	46	85	0.362	1	1.208	700
	603	12	27	30	23	85	0.579	1	1.9296	700





Shenzhen Jinshunlaite Motor.,Ltd.

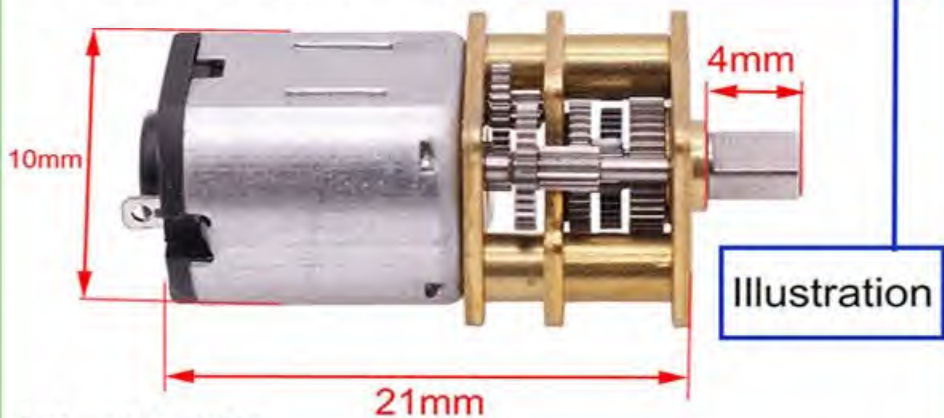
web : www.aslongdcmotor.com/www.aslongmotor.com

Email : sales@aslongmotor.com

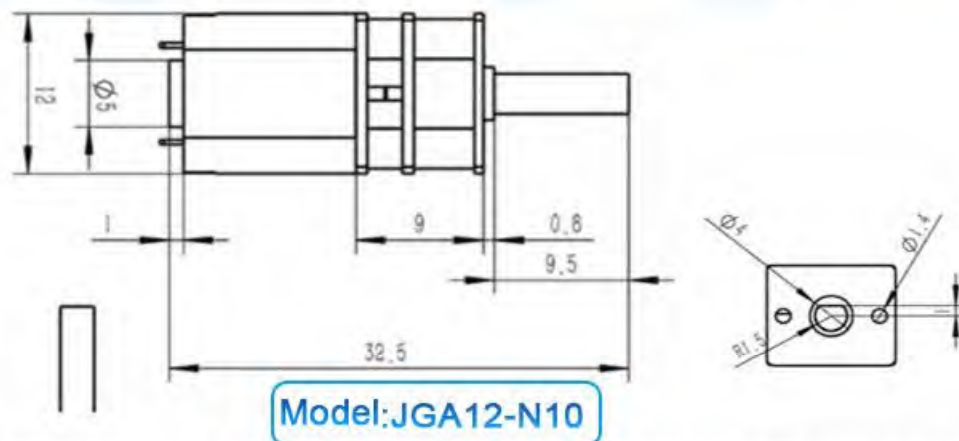


Model: N10 deceleration motor
 Rated power: 0.06 (W)
 Product Type: Brush DC Motor
 Rated voltage: 3-12 (V)
 Seller Product Code: HF479-1

Miniature DC motor
 Миниатюрный двигатель постоянного тока



Net weight: 7.81g
 Rated current: 0.02 (A)
 Rated speed: 5-2000 (rpm)
 Dimensions 21.1 * 12 * 10mm
 Scope: smart locks, medical equipment, electric toys



Model: JGA12-N10

Model	Rated vort.v	No load		Load Torque				Stall		Ratio 1:100
		Speed rpm	Current mA	Speed rpm	Current mA	Torque g.cm	Output w	Torque kg.cm	Current ma	
		12-N10	6	2100	40	1680	130	0.02	0.18	
12-N10	6	700	40	560	130	0.04	0.18	0.2	0.5	30
12-N10	6	420	40	336	130	0.06	0.18	0.3	0.5	50
12-N10	6	210	40	168	130	0.1	0.18	0.5	0.5	100
12-N10	6	140	40	112	130	0.16	0.18	0.8	0.5	150
12-N10	6	100	40	80	130	0.22	0.18	1.1	0.5	210
12-N10	6	70	40	56	130	0.3	0.18	1.5	0.5	298
12-N10	6	55	40	44	130	0.4	0.18	2	0.5	380



Shenzhen Jinshunlaite Motor.,Ltd.

web : www.aslongdcmotor.com/www.aslongmotor.com

Email : sales@aslongmotor.com



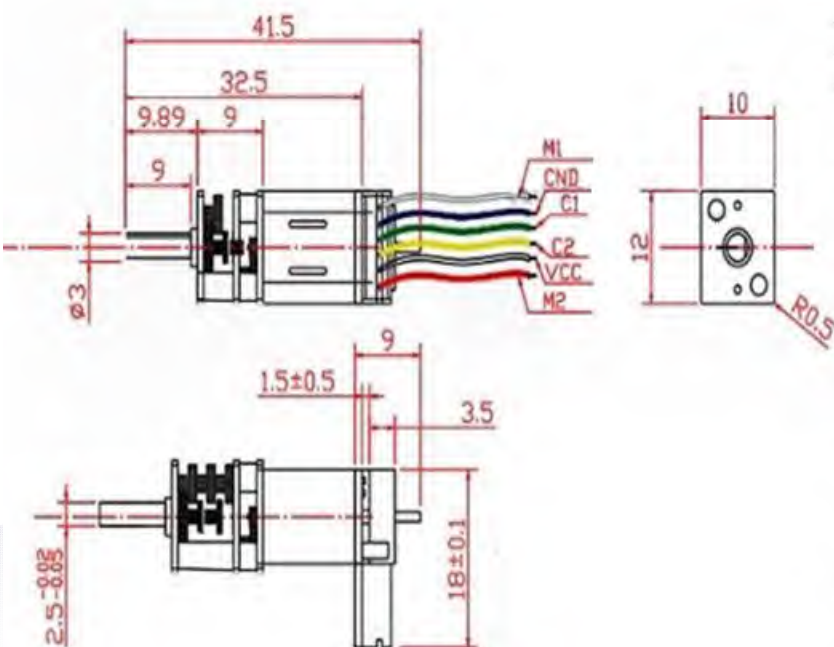
Encoder connecting Method



- Red wire : M2 for M+
- Black wire: Vcc for encoder+
- Yellow wire: C2 for hall sensor A
- Green wire: C1 for hall sensor B
- Blue wire:GND for encoder -
- white wire:M1 for M-



Model:JGA12-N10B



Model	Voltage		No load		On Load				Stall		Speed reducer	
	Workable Range	Rated V	Speed rpm	Current mA	Speed rpm	Current mA	Torque Kg.cm	Output w	Torque kg.cm	Current ma	Ratio 1:00	Size
12-N10	3-6v	6	2100	40	1680	130	0.02	0.18	0.1	0.5	10	9
12-N10	3-6v	6	700	40	560	130	0.04	0.18	0.2	0.5	30	9
12-N10	3-6v	6	420	40	336	130	0.06	0.18	0.3	0.5	50	9
12-N10	3-6v	6	210	40	168	130	0.1	0.18	0.5	0.5	100	9
12-N10	3-6v	6	140	40	112	130	0.16	0.18	0.8	0.5	150	9
12-N10	3-6v	6	100	40	80	130	0.22	0.18	1.1	0.5	210	9
12-N10	3-6v	6	70	40	56	130	0.3	0.18	1.5	0.5	298	9
12-N10	3-6v	6	55	40	44	130	0.4	0.18	2	0.5	380	9



Shenzhen Jinshunlaite Motor.,Ltd.

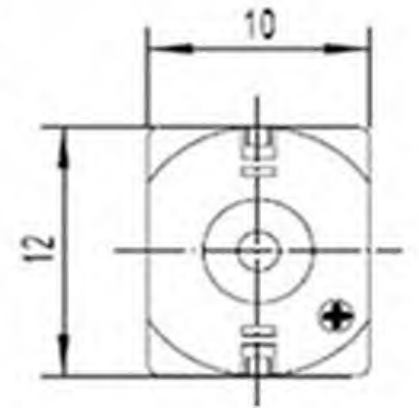
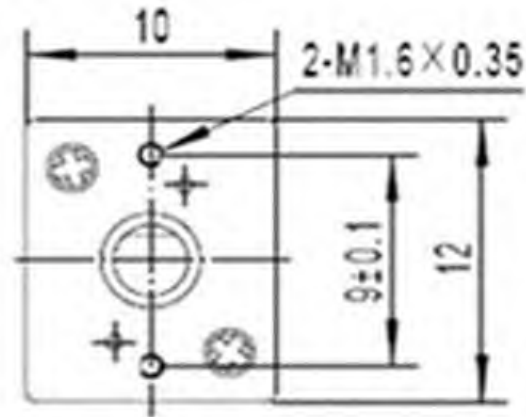
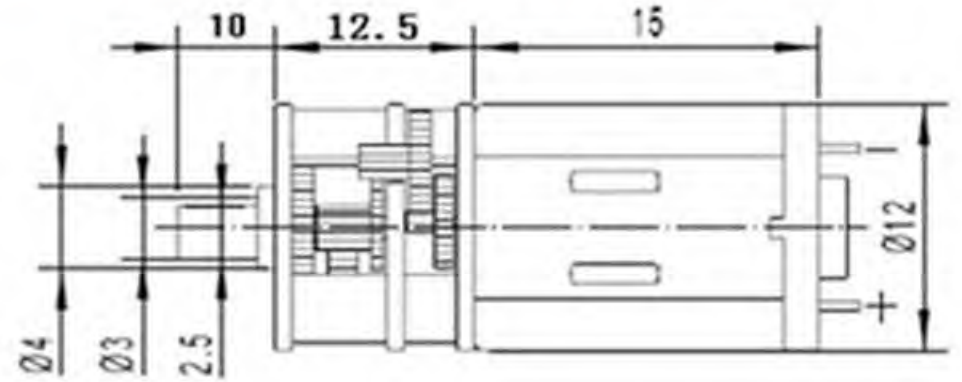
web : www.aslongdcmotor.com/www.aslongmotor.com

Email : sales@aslongmotor.com



Model: JGA12-N20-1000

Reduction ratio	Rated Volt V	No Load		AT Load			STALL	
		SPEED RPM	CURRENT mA	Torque KG cm	SPEED RPM	Current A	TOGQCE KG_CM	CURRENT A
1000	6	7.5	20	2.2	5.5	100	3.7	0.21
1000	12	15	30	3	11.5	150	4	0.3
1000	24	30	50	3	23	270	4	0.55





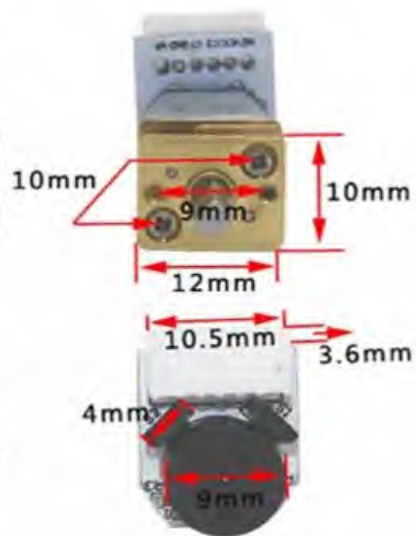
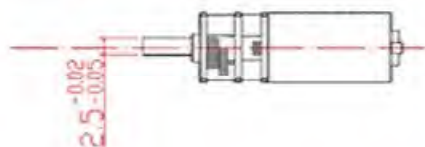
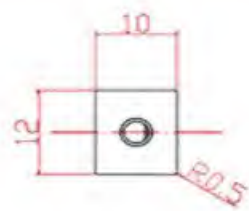
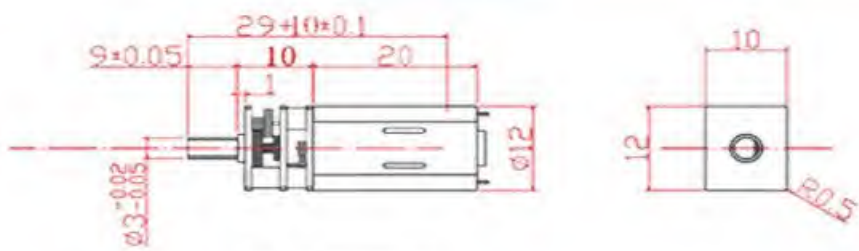
Shenzhen Jinshunlaite Motor.,Ltd.

web: www.aslongdcmotor.com/www.aslongmotor.com

Email: sales@aslongmotor.com



Model: JGA12-N20B



Model	Voltage		Noload		At Max. Efficiency				Stall		Speedreducer	
	Using Range	The Rated	Speed r/min	Current ma	Speed r/min	Current ma	Torque kg.cm	Power W	Torque kg.cm	Current A	Redction Ratio	(L)Size mm
JGA12-N20-10	3-12V	6V	1500	40	1050	160	0.027	0.35	0.135	0.55	10	9
JGA12-N20-30	3-12V	6V	500	40	375	160	0.081	0.35	0.4	0.55	30	9
JGA12-N20-50	3-12V	6V	300	40	225	155	0.14	0.35	0.7	0.55	50	9
JGA12-N20-100	3-12V	6V	150	40	120	155	0.35	0.35	1.75	0.55	100	9
JGA12-N20-150	3-12V	6V	100	40	80	150	0.55	0.35	2.75	0.55	150	9
JGA12-N20-210	3-12V	6V	71	40	56	140	0.8	0.35	4	0.55	210	9
JGA12-N20-298	3-12V	6V	50	40	40	140	1.1	0.35	5.5	0.55	298	9
JGA12-N20-380	3-12V	6V	39	40	32	130	1.5	0.35	7.5	0.55	380	9



Shenzhen Jinshunlaite Motor.,Ltd.

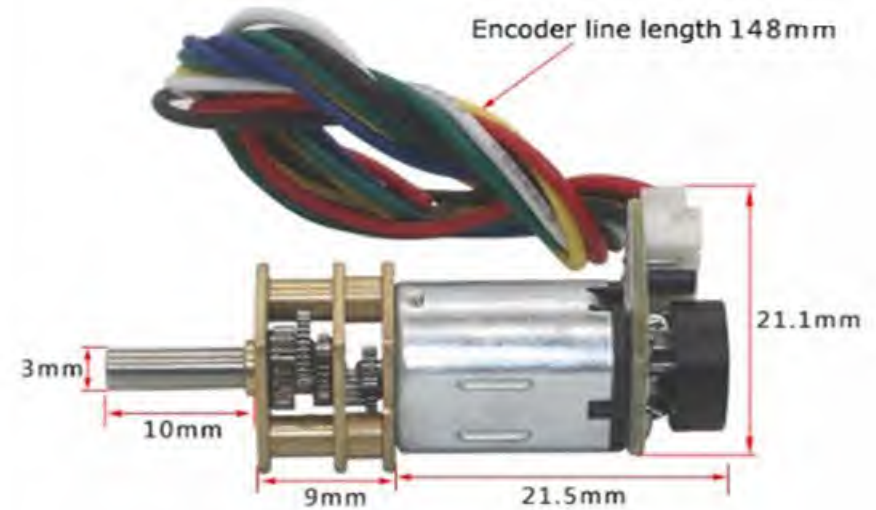
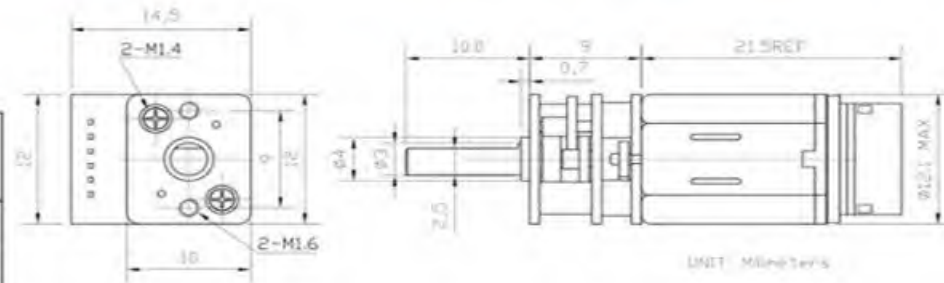
web : www.aslongdcmotor.com/www.aslongmotor.com

Email : sales@aslongmotor.com



Model: JGA12-N20W

Reduction ratio (коэффициент уменьшения)	Rated voltage (Номинальное напряжение)	No load speed	Load (Рабочая нагрузка)			Stall	
			Speed	Current	Rated torque (крутящий момент)	Torque (крутящий момент)	Current
(1:00)	(V)	r/min (±10%)	r/min (±10%)	(mA)	(kg.cm)	(kg.cm)	(mA)
30	3V	250	200	80	0.07	0.56	100
50	3V	150	100	80	0.1	0.8	100
100	3V	75	60	80	0.15	1.2	100
150	3V	50	40	60	0.2	1.6	100
200	3V	37	30	60	0.25	2	100
250	3V	30	24	60	0.3	2.4	100
298	3V	25	20	60	0.5	4	100
30	6V	500	400	160	0.15	1.2	100
50	6V	300	240	160	0.2	1.6	100
100	6V	150	120	160	0.3	2.4	100
150	6V	100	80	160	0.4	3.2	200
200	6V	74	70	120	0.6	3.2	200
250	6V	60	48	120	1	7	200
298	6V	50	40	120	1.5	10	200
30	12V	1000	800	300	0.3	2.4	300
50	12V	600	480	300	0.4	3.2	300
100	12V	300	240	300	0.5	4	300
150	12V	200	160	300	1	7	300
200	12V	148	118	300	1.2	9	300
250	12V	120	96	300	2	16	300
298	12V	100	80	300	2	16	300





Shenzhen Jinshunlaite Motor.,Ltd.

web: www.aslongdcmotor.com/www.aslongmotor.com

Email: sales@aslongmotor.com



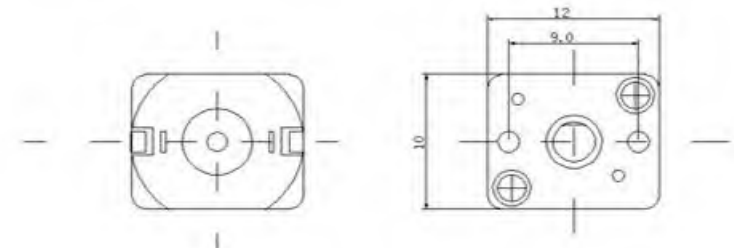
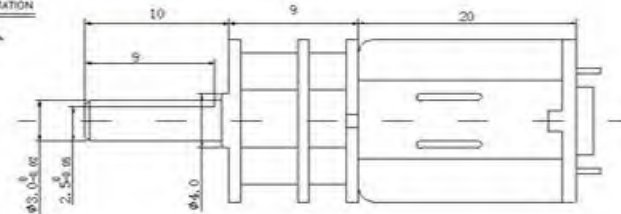
Model: JGA12-N30

Reduction ratio	Rated Volt V	No Load		AT Load			STALL	
		SPEED RPM	CURRENT mA	Torque KG.cm	SPEED RPM	Current mA	TOGQCE KG.CM	CURRENT mA
5	6	2000	25	0.02	1429	120	0.05	300
10	6	1000	25	0.05	714	120	0.1	300
20	6	500	25	0.1	357	120	0.2	300
30	6	333	25	0.15	238	120	0.3	300
50	6	200	25	0.25	143	120	0.5	300
100	6	100	25	0.5	71	120	1	300
150	6	66	25	0.75	47	120	1.5	300
210	6	47	25	1	34	120	2	300
250	6	40	25	1.25	29	120	2.5	300
298	6	33	25	1.5	24	120	3	300
380	6	26	25	2	19	120	3.5	300
5	12	4000	27	0.04	2857	220	0.1	550
10	12	2000	27	0.1	1429	220	0.2	550
20	12	1000	27	0.2	714	220	0.4	550
30	12	666	27	0.3	476	220	0.6	550
50	12	400	27	0.5	286	220	1	550
100	12	200	27	1	143	220	2	550
150	12	133	27	1.5	95	220	3	550
210	12	95	27	2	68	220		550
250	12	80	27	2.5	57	220		550
298	12	67	27	3	48	220		550
380	12	52	27	3.8	37	220		550



N30 Micro Gear Motor

DIRECTION OF ROTATION





Shenzhen Jinshunlaite Motor.,Ltd.

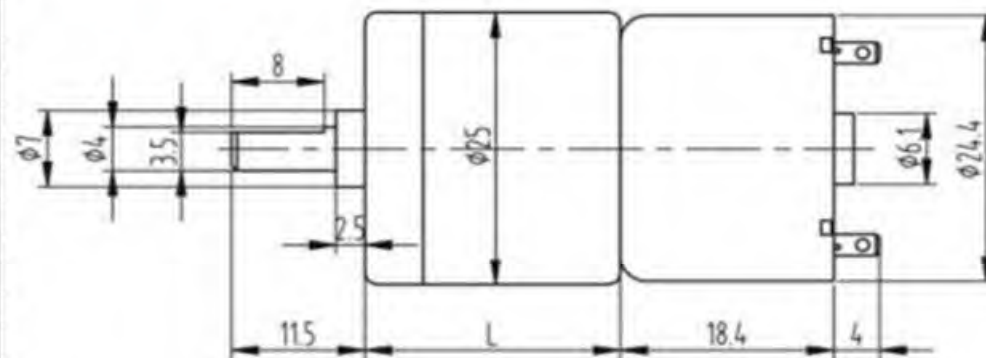
web : www.aslongdcmotor.com/www.aslongmotor.com

Email : sales@aslongmotor.com

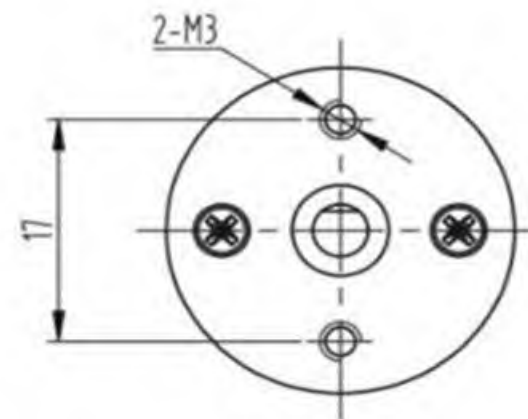


Model: JGA25-310

Reduction ratio	Voltage	No load		Rated load			
	V	Speed (r/min)	Current (mA)	Speed (r/min)	Current (mA)	Torque (kg.cm)	Power (W)
4.4	6	900	45	700	110	0.03	0.25
9.6	6	400	45	300	110	0.06	0.25
21	6	180	45	140	110	0.15	0.25
35	6	110	45	80	110	0.25	0.25
46	6	85	45	65	110	0.3	0.25
78	6	50	45	38	110	0.5	0.25
100	6	39	45	30	110	0.7	0.25
171	6	23	45	17	110	1.2	0.25
226	6	17	45	13	110	1.5	0.25
377	6	10	45	7	110	2.6	0.25
500	6	8	45	6	110	3.5	0.25



Reduction ratio	Voltage	No load		Rated load			
	V	Speed (r/min)	Current (mA)	Speed (r/min)	Current (mA)	Torque (kg.cm)	Power (W)
4.4	12	1800	90	1400	230	0.06	0.9
9.6	12	830	90	640	230	0.13	0.9
21	12	375	90	290	230	0.3	0.9
35	12	220	90	170	230	0.5	0.9
46	12	177	90	135	230	0.6	0.9
78	12	100	90	75	230	1	0.9
100	12	77	90	60	230	1.4	0.9
171	12	46	90	35	230	2.4	0.9
226	12	35	90	27	230	3.2	0.9
377	12	21	90	16	230	5.2	0.9
500	12	16	90	12	230	7	0.9





Shenzhen Jinshunlaite Motor.,Ltd.

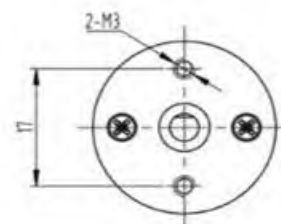
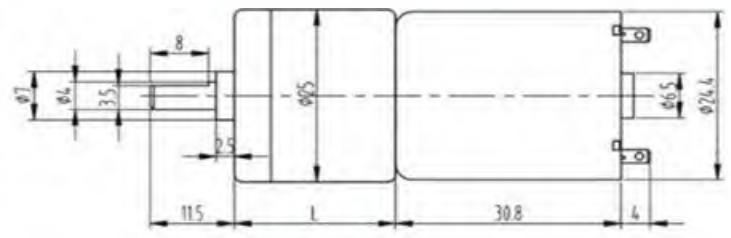
web: www.aslongdcmotor.com/www.aslongmotor.com

Email: sales@aslongmotor.com



Model: JGA25-370

Reduction ratio	Rated Volt	No Load		AT Load			STALL		Gearbox Length
		SPEED RPM	CURRENT mA	Torque KG.cm	SPEED RPM	Current A	TOGQCE KG.CM	CURRENT A	
4.4	6	1360	100	0.1	1000	0.45	0.35	1.8	17
9.6	6	620	100	0.22	450	0.45	0.75	1.8	17
21.3	6	280	100	0.5	220	0.45	1.7	1.8	19
35	6	170	100	0.8	130	0.45	2.8	1.8	21
46	6	130	100	1	100	0.45	3.6	1.8	21
78	6	77	100	1.8	60	0.45	6.2	1.8	23
103	6	60	100	2.4	46	0.45	8.2	1.8	23
171	6	35	100	4	27	0.45	9	1.8	25
226	6	26	100	5.2	20	0.45	9	1.8	25
377	6	16	100	8.4	12	0.45	9	1.8	27
500	6	12	100	9	9	0.45	9	1.8	27
4.4	12	1360	60	0.1	1000	0.45	0.35	1.3	17
9.6	12	620	60	0.22	450	0.45	0.75	1.3	17
21.3	12	280	60	0.5	220	0.45	1.7	1.3	19
35	12	170	60	0.8	130	0.45	2.8	1.3	21
46	12	130	60	1	100	0.45	3.6	1.3	21
78	12	77	60	1.8	60	0.45	6.2	1.3	23
103	12	60	60	2.4	46	0.45	8.2	1.3	23
171	12	35	60	4	27	0.45	9	1.3	25
226	12	26	60	5.2	20	0.45	9	1.3	25
377	12	16	60	8.4	12	0.45	9	1.3	27
500	12	12	60	9	9	0.45	9	1.3	27
4.4	24	1360	40	0.1	1000	0.25	0.35	0.7	17
9.6	24	620	40	0.22	450	0.25	0.75	0.7	17
21.3	24	280	40	0.5	220	0.25	1.7	0.7	19
35	24	170	40	0.8	130	0.25	2.8	0.7	21
46	24	130	40	1	100	0.25	3.6	0.7	21
78	24	77	40	1.8	60	0.25	6.2	0.7	23
103	24	60	40	2.4	46	0.25	8.2	0.7	23
171	24	35	40	4	27	0.25	9	0.7	25
226	24	26	40	5.2	20	0.25	9	0.7	25
377	24	16	40	8.4	12	0.25	9	0.7	27
500	24	12	40	9	9	0.25	9	0.7	27





Shenzhen Jinshunlaite Motor.,Ltd.

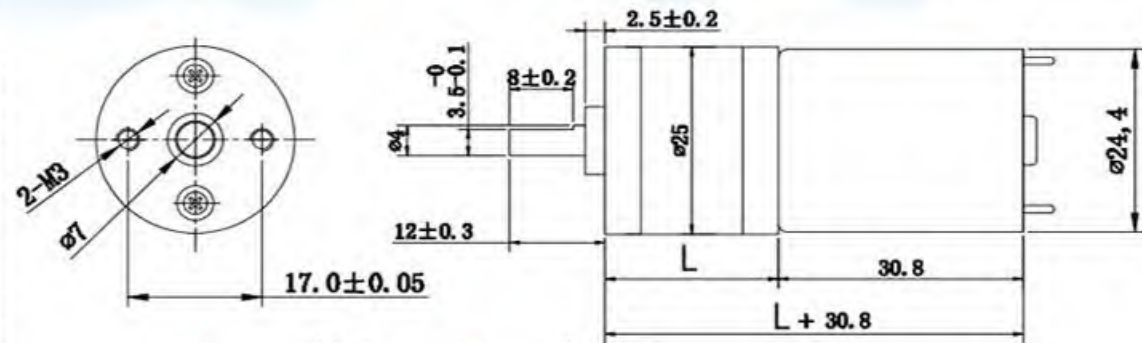
web : www.aslongdcmotor.com/www.aslongmotor.com

Email : sales@aslongmotor.com



Model: JGA25-370-25

Reduction ratio	Rated Volt	No Load		AT Load		STALL		Gearbox Length	
		SPEED	CURRENT	Torque	SPEED	Current	TOGQCE		CURRENT
	V	RPM	mA	KG cm	RPM	A	KG.CM	A	
4.4	6	1360	100	0.1	1000	0.45	0.35	1.8	17
9.6	6	620	100	0.22	450	0.45	0.75	1.8	17
21.3	6	280	100	0.5	220	0.45	1.7	1.8	19
35	6	170	100	0.8	130	0.45	2.8	1.8	21
46	6	130	100	1	100	0.45	3.6	1.8	21
78	6	77	100	1.8	60	0.45	6.2	1.8	23
103	6	60	100	2.4	46	0.45	8.2	1.8	23
171	6	35	100	4	27	0.45	9	1.8	25
226	6	26	100	5.2	20	0.45	9	1.8	25
377	6	16	100	8.4	12	0.45	9	1.8	27
500	6	12	100	9	9	0.45	9	1.8	27
4.4	12	1360	60	0.1	1000	0.45	0.35	1.3	17
9.6	12	620	60	0.22	450	0.45	0.75	1.3	17
21.3	12	280	60	0.5	220	0.45	1.7	1.3	19
35	12	170	60	0.8	130	0.45	2.8	1.3	21
46	12	130	60	1	100	0.45	3.6	1.3	21
78	12	77	60	1.8	60	0.45	6.2	1.3	23
103	12	60	60	2.4	46	0.45	8.2	1.3	23
171	12	35	60	4	27	0.45	9	1.3	25
226	12	26	60	5.2	20	0.45	9	1.3	25
377	12	16	60	8.4	12	0.45	9	1.3	27
500	12	12	60	9	9	0.45	9	1.3	27
4.4	24	1360	40	0.1	1000	0.25	0.35	0.7	17
9.6	24	620	40	0.22	450	0.25	0.75	0.7	17
21.3	24	280	40	0.5	220	0.25	1.7	0.7	19
35	24	170	40	0.8	130	0.25	2.8	0.7	21
46	24	130	40	1	100	0.25	3.6	0.7	21
78	24	77	40	1.8	60	0.25	6.2	0.7	23
103	24	60	40	2.4	46	0.25	8.2	0.7	23
171	24	35	40	4	27	0.25	9	0.7	25
226	24	26	40	5.2	20	0.25	9	0.7	25
377	24	16	40	8.4	12	0.25	9	0.7	27
500	24	12	40	9	9	0.25	9	0.7	27





Shenzhen Jinshunlaite Motor.,Ltd.

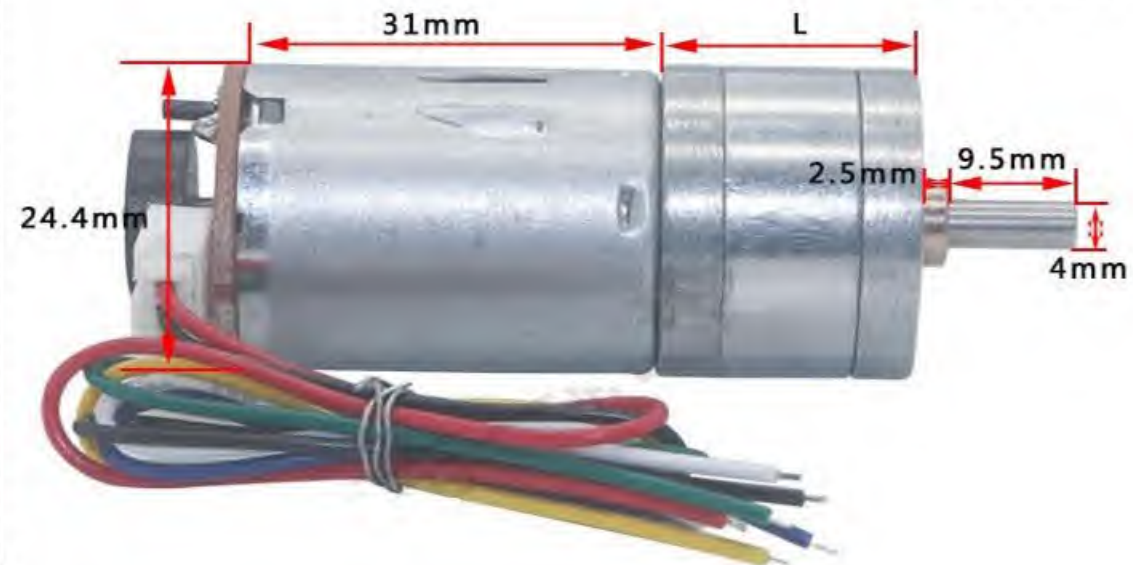
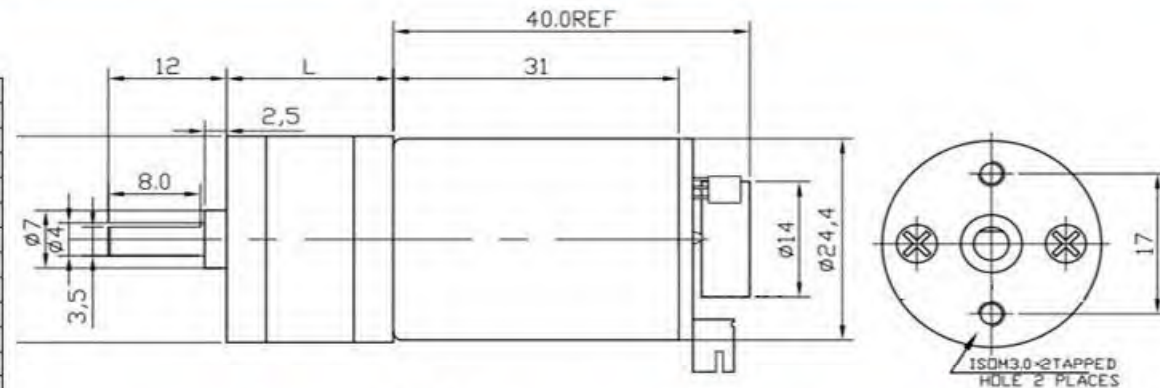
web: www.aslongdcmotor.com/www.aslongmotor.com

Email: sales@aslongmotor.com



Model: JGA25-370B

Reduction ratio	Rated Volt	No Load		AT Load			STALL		Gearbox Length
		SPEED RPM	CURRENT mA	Torque KG.cm	SPEED RPM	Current A	TOGQCE KG.CM	CURRENT A	
4.4	6	1360	100	0.1	1000	0.45	0.35	1.8	17
9.6	6	620	100	0.22	450	0.45	0.75	1.8	17
21.3	6	280	100	0.5	220	0.45	1.7	1.8	19
35	6	170	100	0.8	130	0.45	2.8	1.8	21
46	6	130	100	1	100	0.45	3.6	1.8	21
78	6	77	100	1.8	60	0.45	6.2	1.8	23
103	6	60	100	2.4	46	0.45	8.2	1.8	23
171	6	35	100	4	27	0.45	9	1.8	25
226	6	26	100	5.2	20	0.45	9	1.8	25
377	6	16	100	8.4	12	0.45	9	1.8	27
500	6	12	100	9	9	0.45	9	1.8	27
4.4	12	1360	60	0.1	1000	0.45	0.35	1.3	17
9.6	12	620	60	0.22	450	0.45	0.75	1.3	17
21.3	12	280	60	0.5	220	0.45	1.7	1.3	19
35	12	170	60	0.8	130	0.45	2.8	1.3	21
46	12	130	60	1	100	0.45	3.6	1.3	21
78	12	77	60	1.8	60	0.45	6.2	1.3	23
103	12	60	60	2.4	46	0.45	8.2	1.3	23
171	12	35	60	4	27	0.45	9	1.3	25
226	12	26	60	5.2	20	0.45	9	1.3	25
377	12	16	60	8.4	12	0.45	9	1.3	27
500	12	12	60	9	9	0.45	9	1.3	27
4.4	24	1360	40	0.1	1000	0.25	0.35	0.7	17
9.6	24	620	40	0.22	450	0.25	0.75	0.7	17
21.3	24	280	40	0.5	220	0.25	1.7	0.7	19
35	24	170	40	0.8	130	0.25	2.8	0.7	21
46	24	130	40	1	100	0.25	3.6	0.7	21
78	24	77	40	1.8	60	0.25	6.2	0.7	23
103	24	60	40	2.4	46	0.25	8.2	0.7	23
171	24	35	40	4	27	0.25	9	0.7	25
226	24	26	40	5.2	20	0.25	9	0.7	25
377	24	16	40	8.4	12	0.25	9	0.7	27
500	24	12	40	9	9	0.25	9	0.7	27



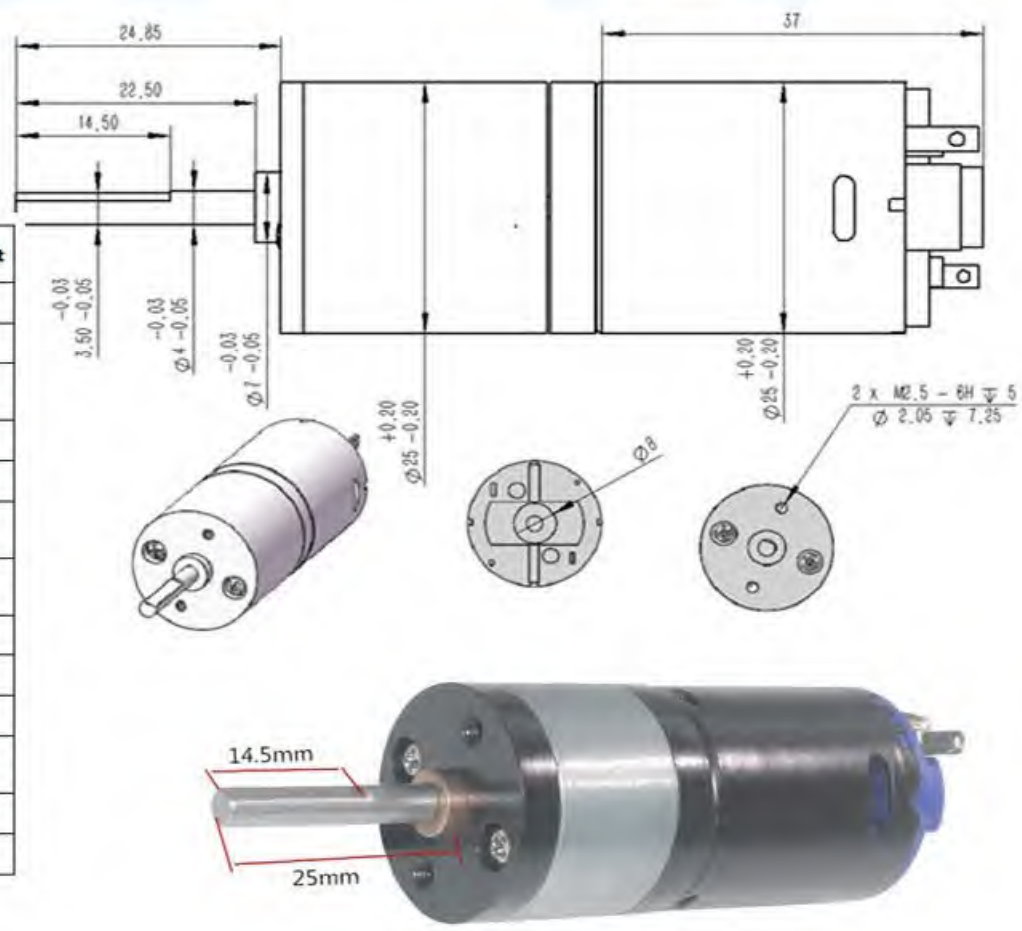


Shenzhen Jinshunlaite Motor.,Ltd.
 web : www.aslongdcmotor.com/www.aslongmotor.com
 Email : sales@aslongmotor.com



Model: JGA25-370DGT

Voltage		No load		On Load				Stall		Speed reducer		Weight
Workable	Rated	Speed	Current	Speed	Current	Torque	Output	Torque	Current	Ratio	Size	Unit
Range	V	rpm	mA	rpm	A	Kg.cm	w	kg.cm	A	1:00	mm	g
6-12v	12v	4545	580	3864	1.1	0.3	17	1.2	4.47	4.4	18	100
6-12v	12v	2083	580	1771	1.1	0.6	17	2.3	4.47	9.6	17.5	100
6-12v	12v	939	580	798	1.1	1.3	17	5.8	4.47	21.3	19	100
6-12v	12v	567	580	482	1.1	2.1	17	9.6	4.47	35.3	21	100
6-12v	12v	427	580	363	1.1	2.8	17	12.6	4.47	46.8	21	100
6-12v	12v	256	580	218	1.1	4.7	17	21.1	4.47	78	23	100
6-12v	12v	194	580	165	1.1	6.3	17	27.8	4.47	103	23	100
6-12v	12v	117	580	99	1.1	9.3	17	Ban locked	4.47	171	25	100
6-12v	12v	88	580	75	1.1	12.5	17		4.47	226	25	100
6-12v	12v	53	580	45	1.1	13	17		4.47	378	27	100
6-12v	12v	40	580	34	1.1	15	17		4.47	500	27	100





Shenzhen Jinshunlaite Motor.,Ltd.

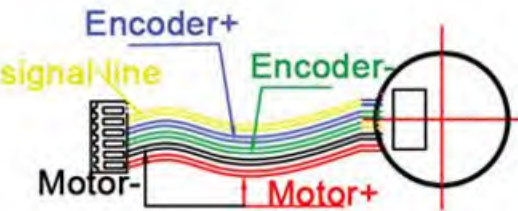
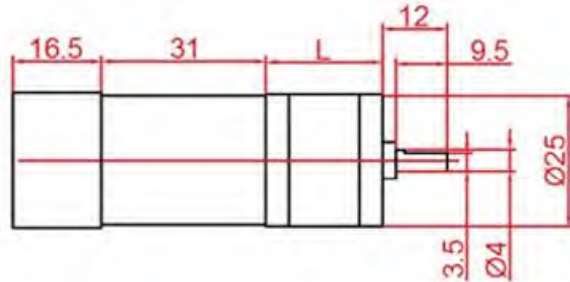
web: www.aslongdcmotor.com/www.aslongmotor.com

Email: sales@aslongmotor.com



Model: JGA25-370G

DIRECTION OF ROTATION



unit : mm

Model	Rated V	No load		On Load			Stall		Weight G	Size MM
		Speed ±10RPM	Current A	Speed ±10RPM	Current A	Torque KG. CM	Speed ±10RPM	Current A		
JGA25-370-4.4K	6	1360	0.1	1046	0.5	0.07	0.4	2.6	83	18
JGA25-370-9.6K	6	620	0.1	477	0.5	0.16	0.9	2.6	83	17.5
JGA25-370-21.3K	6	280	0.1	215	0.5	0.35	2	2.6	86	19
JGA25-370-35.5K	6	170	0.1	131	0.5	0.6	3.3	2.6	88	21
JGA25-370-46.8K	6	130	0.1	100	0.5	0.8	4.4	2.6	88	21
JGA25-370-78K	6	77	0.1	59	0.5	1.3	5.5	2.6	90	23
JGA25-370-103K	6	60	0.1	46	0.5	1.7	7.3	2.6	90	23
JGA25-370-130K	6	46	0.1	35	0.5	2.2	9.1	2.6	89	25
JGA25-370-171K	6	35	0.1	27	0.5	2.9	Stall or momentary load reversal is prohibited		89	25
JGA25-370-226K	6	26	0.1	20	0.5	3.8			89	25
JGA25-370-377K	6	16	0.1	12	0.5	6.3			91	27
JGA25-370-500K	6	12	0.1	9	0.5	8.3			91	27

Model	Rated V	No load		On Load			Stall		Weight G	Size MM
		Speed ±10RPM	Current A	Speed ±10RPM	Current A	Torque KG. CM	Speed ±10RPM	Current A		
JGA25-370-4.4K	12	1360	0.07	1046	0.3	0.1	0.4	1.8	83	18
JGA25-370-9.6K	12	620	0.07	477	0.3	0.2	0.9	1.8	83	17.5
JGA25-370-21.3K	12	280	0.07	215	0.3	0.4	2	1.8	86	19
JGA25-370-35.5K	12	170	0.07	131	0.3	0.69	3.3	1.8	88	21
JGA25-370-46.8K	12	130	0.07	100	0.3	0.9	4.4	1.8	88	21
JGA25-370-78K	12	77	0.07	59	0.3	1.5	5.5	1.8	90	23
JGA25-370-103K	12	60	0.07	46	0.3	2	7.3	1.8	90	23
JGA25-370-130K	12	46	0.07	35	0.3	2.5	9.1	1.8	89	25
JGA25-370-171K	12	35	0.07	27	0.3	3.3	Stall or momentary load reversal is prohibited		89	25
JGA25-370-226K	12	26	0.07	20	0.3	4.4			89	25
JGA25-370-377K	12	16	0.07	12	0.3	7.3			91	27
JGA25-370-500K	12	12	0.07	9	0.3	9.7			91	27



Shenzhen Jinshunlaite Motor., Ltd.

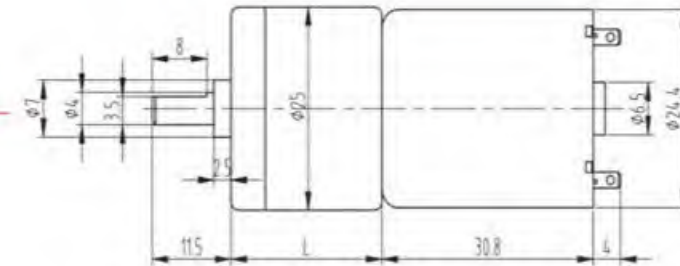
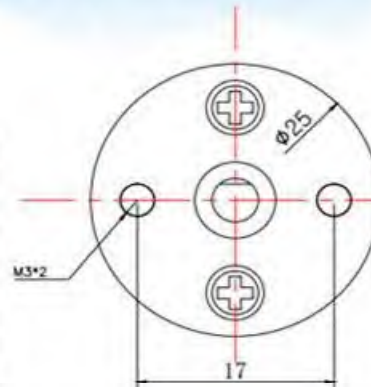
web: www.aslongdcmotor.com/www.aslongmotor.com

Email: sales@aslongmotor.com



Model: JGA25-370TC

Reduction ratio	Rated Volt	No Load		AT Load			STALL		Gearbox Length
		SPEED RPM	CURRENT mA	Torque KG.cm	SPEED RPM	Current A	TOGQCE KG.CM	CURRENT A	
4.4	6	1360	100	0.1	1000	0.45	0.35	1.8	17
9.6	6	620	100	0.22	450	0.45	0.75	1.8	17
21.3	6	280	100	0.5	220	0.45	1.7	1.8	19
35	6	170	100	0.8	130	0.45	2.8	1.8	21
46	6	130	100	1	100	0.45	3.6	1.8	21
78	6	77	100	1.8	60	0.45	6.2	1.8	23
103	6	60	100	2.4	46	0.45	8.2	1.8	23
171	6	35	100	4	27	0.45	9	1.8	25
226	6	26	100	5.2	20	0.45	9	1.8	25
377	6	16	100	8.4	12	0.45	9	1.8	27
500	6	12	100	9	9	0.45	9	1.8	27
4.4	12	1360	60	0.1	1000	0.45	0.35	1.3	17
9.6	12	620	60	0.22	450	0.45	0.75	1.3	17
21.3	12	280	60	0.5	220	0.45	1.7	1.3	19
35	12	170	60	0.8	130	0.45	2.8	1.3	21
46	12	130	60	1	100	0.45	3.6	1.3	21
78	12	77	60	1.8	60	0.45	6.2	1.3	23
103	12	60	60	2.4	46	0.45	8.2	1.3	23
171	12	35	60	4	27	0.45	9	1.3	25
226	12	26	60	5.2	20	0.45	9	1.3	25
377	12	16	60	8.4	12	0.45	9	1.3	27
500	12	12	60	9	9	0.45	9	1.3	27
4.4	24	1360	40	0.1	1000	0.25	0.35	0.7	17
9.6	24	620	40	0.22	450	0.25	0.75	0.7	17
21.3	24	280	40	0.5	220	0.25	1.7	0.7	19
35	24	170	40	0.8	130	0.25	2.8	0.7	21
46	24	130	40	1	100	0.25	3.6	0.7	21
78	24	77	40	1.8	60	0.25	6.2	0.7	23
103	24	60	40	2.4	46	0.25	8.2	0.7	23
171	24	35	40	4	27	0.25	9	0.7	25
226	24	26	40	5.2	20	0.25	9	0.7	25
377	24	16	40	8.4	12	0.25	9	0.7	27
500	24	12	40	9	9	0.25	9	0.7	27

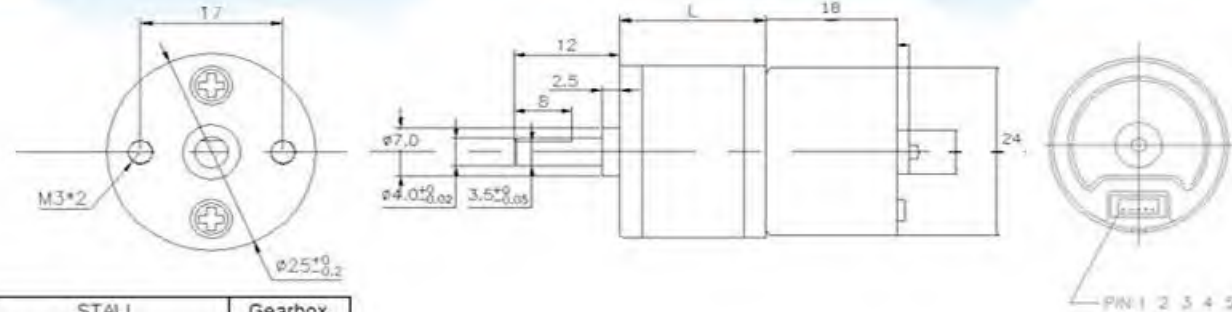




Shenzhen Jinshunlaite Motor.,Ltd.
 web: www.aslongdcmotor.com/www.aslongmotor.com
 Email: sales@aslongmotor.com



Model:JGA25-2418



Reduction ratio	Rated Volt V	No Load			AT Load			STALL		Gearbox Length mm
		SPEED RPM	CURRENT mA	Torque KG.cm	SPEED RPM	Current A	OUTPUT W	TOGQCE KG.CM	CURRENT A	
4.4	12	1000	50	0.03	770	0.15	0.6	0.2	0.4	17
9.6	12	450	50	0.07	350	0.15	0.6	0.5	0.4	17
21.3	12	210	50	0.2	160	0.15	0.6	1	0.4	19
35	12	130	50	0.25	100	0.15	0.6	1.7	0.4	21
46	12	100	50	0.3	75	0.15	0.6	2.1	0.4	21
78	12	58	50	0.6	60	0.15	0.6	3.7	0.4	23
103	12	45	50	0.7	35	0.15	0.6	4.9	0.4	23
171	12	26	50	1.2	20	0.15	0.6	8	0.4	25
226	12	20	50	1.6	15	0.15	0.6	9	Forbid locked	25
377	12	12	50	2.6	9	0.15	0.6	9		27
500	12	9	50	3.5	7	0.15	0.6	9		27
4.4	24	2000	85	0.06	1540	0.2	2.2	0.4	0.8	17
9.6	24	930	85	0.17	700	0.2	2.2	1	0.8	17
21.3	24	420	85	0.4	320	0.2	2.2	2.1	0.8	19
35	24	260	85	0.5	200	0.2	2.2	3.4	0.8	21
46	24	200	85	0.6	150	0.2	2.2	4.2	0.8	21
78	24	115	85	1.2	120	0.2	2.2	7.4	0.8	23
103	24	90	85	1.4	70	0.2	2.2	9	0.8	23
171	24	52	85	2.4	40	0.2	2.2	9	Forbid locked	25
226	24	40	85	3.2	30	0.2	2.2	9		25
377	24	24	85	5.2	18	0.2	2.2	9		27
500	24	18	85	7	14	0.2	2.2	9		27

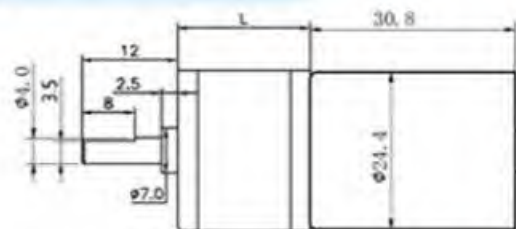
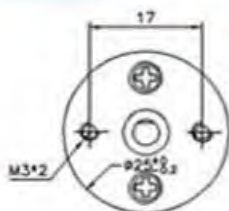




Shenzhen Jinshunlaite Motor.,Ltd.
 web: www.aslongdcmotor.com/www.aslongmotor.com
 Email: sales@aslongmotor.com



Model: JGA25-2430



Model	Rated	No load		On Load				Stall		Speed reducer	
		Speed	Current	Speed	Current	Torque	Output	Torque	Current	Weight	Size
	V	= 10% RPM	A	= 10% RPM	A	Kg.cm	w	kg.cm	A	g	mm
JGA25-2430-4.3K	24V	1550	0.09	1205	0.3	0.12	1.5	0.4	1.3	91	18
JGA25-2430-9.6K	24V	700	0.09	544.5	0.3	0.26	1.46	0.9	1.3	91	17.5
JGA25-2430-21.3K	24V	320	0.09	231	0.3	0.56	1.35	1.94	1.3	92	19
JGA25-2430-35.5K	24V	200	0.09	149	0.3	0.92	1.44	3.24	1.3	93	21
JGA25-2430-46.8K	24V	150	0.09	120	0.3	1	1.27	4.27	1.3	93	21
JGA25-2430-78K	24V	88	0.09	67.4	0.3	1.68	1.19	7	1.3	95	23
JGA25-2430-103K	24V	65	0.09	55	0.3	3.06	1.76	9.28	1.3	95	23
JGA25-2430-130K	24V	54	0.09	45	0.3	3.86	1.81	Ban locked		96	25
JGA25-2430-171K	24V	40	0.09	32	0.3	4.91	1.64		96	25	
JGA25-2430-226K	24V	30	0.09	22	0.3	6.6	1.76		96	25	
JGA25-2430-377K	24V	18.5	0.09	16.7	0.3	7	1.23		98	27	
JGA25-2430-500K	24V	14	0.09	12.6	0.3	7.75	1.05		98	27	

Model	Rated	No load		On Load				Stall		Speed reducer	
		Speed	Current	Speed	Current	Torque	Output	Torque	Current	Weight	Size
	V	= 10% RPM	A	= 10% RPM	A	Kg.cm	w	kg.cm	A	g	mm
JGA25-2430-4.3K	12V	1550	0.15	1205	0.612	0.12	1.5	0.4	1.6	91	18
JGA25-2430-9.6K	12V	700	0.15	544.5	0.612	0.26	1.46	0.9	1.6	91	17.5
JGA25-2430-21.3K	12V	320	0.15	231	0.612	0.56	1.35	1.94	1.6	92	19
JGA25-2430-35.5K	12V	200	0.15	149	0.612	0.92	1.44	3.24	1.6	93	21
JGA25-2430-46.8K	12V	150	0.15	120	0.612	1	1.27	4.27	1.6	93	21
JGA25-2430-78K	12V	88	0.15	67.4	0.612	1.68	1.19	7	1.6	95	23
JGA25-2430-103K	12V	65	0.15	55	0.612	3.06	1.76	9.28	1.6	95	23
JGA25-2430-130K	12V	54	0.15	45	0.612	3.86	1.81	Ban locked		96	25
JGA25-2430-171K	12V	40	0.15	32	0.612	4.91	1.64		96	25	
JGA25-2430-226K	12V	30	0.15	22	0.612	6.6	1.76		96	25	
JGA25-2430-377K	12V	18.5	0.15	16.7	0.612	7	1.23		98	27	
JGA25-2430-500K	12V	14	0.15	12.6	0.612	7.75	1.05		98	27	



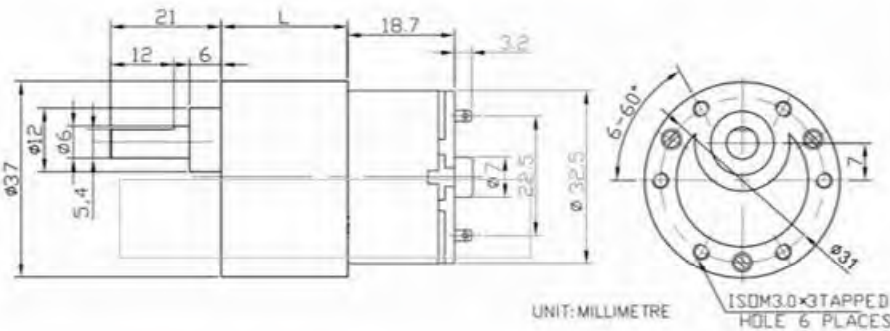
Shenzhen Jinshunlaite Motor.,Ltd.

web: www.aslongdcmotor.com/www.aslongmotor.com

Email: sales@aslongmotor.com

ASLONG®

Model: JGB37-500



Model	No-load			Load				Stall		Weight g	L MM
	Rated voltage	Speed	Current	Speed	Current	Torque	Power	Torque	Current		
	V	±5%RPM	MA	±5%RPM	MA	KG.CM	W	KG.CM	MA		
JGB37-500-6.3K	12	1000	38	860	213	0.08	0.73	0.4	770	124	19
JGB37-500-10K	12	640	38	438	236	0.13	0.58	0.64	770	124	
JGB37-500-19K	12	340	38	275.6	177	0.24	0.69	1.2	770	129	22
JGB37-500-30K	12	210	38	160	221	0.43	0.73	1.86	770	129	
JGB37-500-56K	12	110	38	86.8	208	0.74	0.67	3.2	770	133	24
JGB37-500-90K	12	70	38	56	227	1.18	0.69	5.1	770	133	
JGB37-500-131K	12	50	38	34	170	1.89	0.67	7.5	770	137	26.5
JGB37-500-168K	12	40	38	31.2	199	2.79	0.91	9.65	770	137	
JGB37-500-270K	12	24	38	20.6	199	4.56	0.98	15	770	137	29
JGB37-500-506K	12	13	38	10.2	220	8.7	0.92	31	770	146	
JGB37-500-810K	12	8	38	6.5	200	11.6	0.78	37.5	770	146	

Model	No-load			Load				Stall		Weight g	L MM
	Rated voltage	Speed	Current	Speed	Current	Torque	Power	Torque	Current		
	V	±5%RPM	MA	±5%RPM	MA	KG.CM	W	KG.CM	MA		
JGB37-500-6.3K	24	960	30	740	89	0.06	0.5	0.22	330	124	19
JGB37-500-10K	24	600	30	462	85	0.1	0.48	0.35	330	124	
JGB37-500-19K	24	320	30	240	100	0.14	0.34	0.67	330	129	22
JGB37-500-30K	24	200	30	159.7	81	0.22	0.37	1.1	330	129	
JGB37-500-56K	24	100	30	82	80	0.92	0.78	2	330	133	24
JGB37-500-90K	24	66	30	55.5	79	1.12	0.79	3.2	330	133	
JGB37-500-131K	24	45	30	37.1	86	1.32	0.51	4.6	330	137	26.5
JGB37-500-168K	24	35	30	27.2	104	1.4	0.4	6	330	137	
JGB37-500-270K	24	22	30	18.8	105	3	0.59	9.48	330	137	29
JGB37-500-506K	24	12	30	9.3	107	9.13	0.88	18	330	146	
JGB37-500-810K	24	7	30	5.4	105	14.6	0.82	28.9	330	146	



Shenzhen Jinshunlaite Motor.,Ltd.

web : www.aslongdcmotor.com/www.aslongmotor.com

Email : sales@aslongmotor.com



Model: JGB37-520



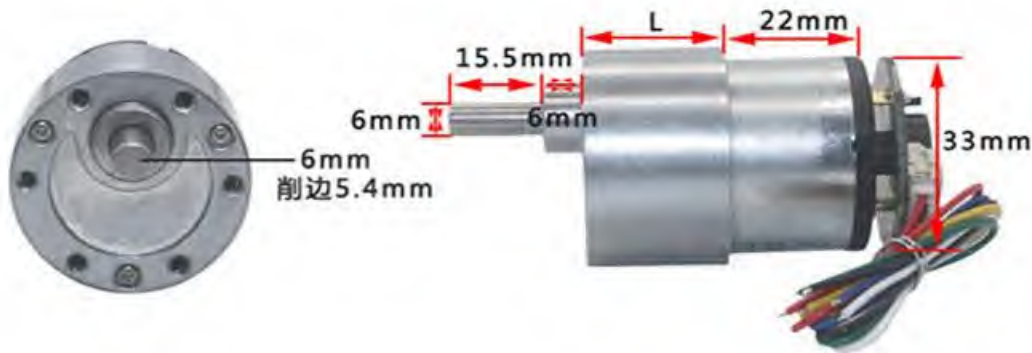
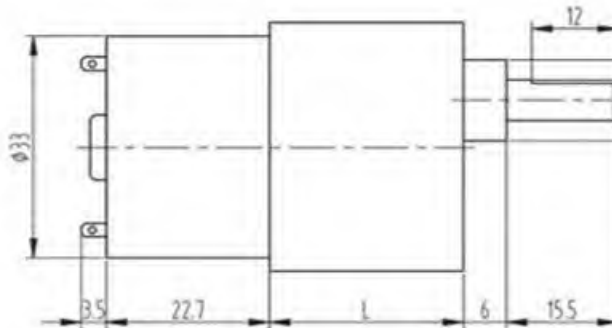
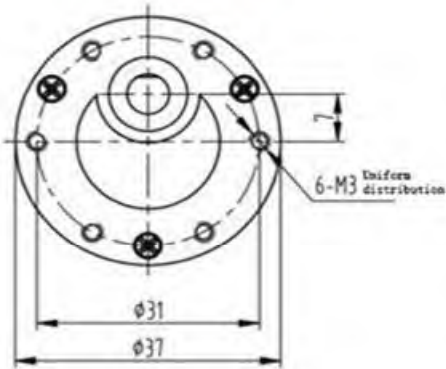
Reduction ratio	Rated Volt V	No Load		AT Load			STALL		Gearbox Length mm
		SPEED RPM	CURRENT mA	Torque KG.cm	SPEED RPM	Current A	TOGQCE KG.CM	CURRENT A	
6.3	12	960	120	0.3	670	400	1	400	19
10	12	600	120	0.5	420	400	1.65	400	19
18.8	12	320	120	0.67	224	400	3.1	400	22
30	12	200	120	1.5	140	400	5	400	22
56	12	107	120	2.8	75	400	9	400	24
90	12	66	120	4.5	46	400	15	400	24
131	12	45	120	6.5	32	400	21	400	26.5
168	12	35	120	8.4	25	400	25	400	26.5
270	12	22	120	13.5	16	400	25	400	26.5
506	12	12	120	18	8.5	400	25	400	29
810	12	7	120	22	5	400	25	400	29
6.3	24	960	50	0.3	670	200	1	200	19
10	24	600	50	0.5	420	200	1.65	200	19
18.8	24	320	50	0.67	224	200	3.1	200	22
30	24	200	50	1.5	140	200	5	200	22
56	24	107	50	2.8	75	200	9	200	24
90	24	66	50	4.5	46	200	15	200	24
131	24	45	50	6.5	32	200	21	200	26.5
168	24	35	50	8.4	25	200	25	200	26.5
270	24	22	50	13.5	16	200	25	200	26.5
506	24	12	50	18	8.5	200	25	200	29
810	24	7	50	22	5	200	25	200	29



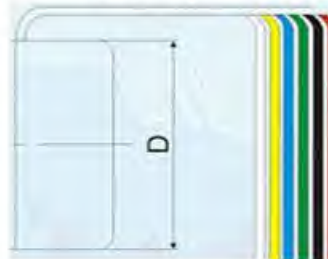
Shenzhen Jinshunlaite Motor.,Ltd.
 web : www.aslongdcmotor.com/www.aslongmotor.com
 Email : sales@aslongmotor.com



Model:JGB37-520B



Reduction ratio	Rated Volt	No Load		AT Load		STALL		Gearbox Length	
		SPEED RPM	CURRENT mA	Torque KG.cm	SPEED RPM	Current A	TOGQCE KG.CM		CURRENT A
6.3	6	1000	70	0.4	800	0.45	0.5	1.2	19
10	6	600	70	0.5	500	0.45	0.8	1.2	19
19	6	300	70	1.1	265	0.45	1.6	1.2	22
30	6	200	70	1.7	166	0.45	2.5	1.2	22
56	6	100	70	3.2	90	0.45	4.5	1.2	24
90	6	70	70	5	55	0.45	7.5	1.2	24
131	6	45	70	7.5	38	0.45	12	1.2	26.5
168	6	35	70	9.5	30	0.45	15	1.2	26.5
270	6	20	70	15	18	0.45	24	1.2	26.5
506	6	12	70	28	10	0.45	35	1.2	29
810	6	7	70	35	6	0.45	35	1.2	29
6.3	12	1590	120	0.7	1200	1	1	2.3	19
10	12	1000	120	1	770	1	1.6	2.3	19
19	12	530	120	2.2	407	1	3.1	2.3	22
30	12	333	120	3.5	250	1	5	2.3	22
56	12	178	120	6.5	140	1	9	2.3	24
90	12	110	120	10	85	1	15	2.3	24
131	12	76	120	15	58	1	24	2.3	26.5
168	12	60	120	19	46	1	31	2.3	26.5
270	12	37	120	30	28	1	35	2.3	26.5
506	12	20	120	35	15	1	35	2.3	29
810	12	12	120	35	9	1	35	2.3	29



Encoder wiring diagram:

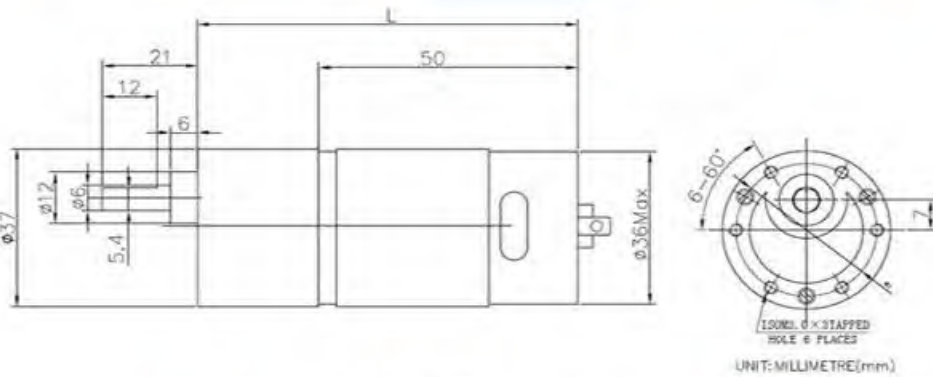
- ① Red Wire - positive power supply of motor(+)
(change positive and negative of motor the rotation will change)
- ② White Wire - negative power supply of motor(-)
(change positive and negative of motor the rotation will change))
- ③ Yellow Wire - signal feedback (motor one turn has 11 signals)
- ④ Green Wire - signal feedback (motor one turn has 11 signals)
- ⑤ Blue Wire - positive of encoder power supply(+)(3.3-5V),cannot be wrong
- ⑥ Black Wire - negative of encoder power supply(-)(3.3-5V),cannot be wrong



Shenzhen Jinshunlaite Motor.,Ltd.

web : www.aslongdcmotor.com/www.aslongmotor.com

Email : sales@aslongmotor.com



Model: JGB37-545



100	Rated Volt	No Load		AT Load			STALL		Gearbox Length
		SPEED	CURRENT	Torque	SPEED	Current	TOGQCE	CURRENT	
	V	RPM	mA	KG.cm	RPM	A	KG_CM	A	mm
6.3	12	1000	200	0.5	800	1	3	3.8	19
10	12	625	200	0.8	530	1	5	3.8	19
19	12	332	200	1.4	280	1	9.4	3.8	22
30	12	208	200	1.5	176	1	15	3.8	22
56	12	110	200	4.5	95	1	28	3.8	24
90	12	70	200	7.2	58	1	35		24
131	12	47	200	10.5	40	1	35		26.5
168	12	37	200	13.5	30	1	35		26.5
270	12	23	200	21.6	19	1	35	Ban locked	26.5
506	12	12	200	35	10	1	35		29
810	12	8	200	35	6.5	1	35		29
6.3	24	960	200	2.5	740	1	6	2.8	19
10	24	600	200	4	460	1	10	2.8	19
19	24	320	200	7	250	1	19	2.8	22
30	24	200	200	12	150	1	30	2.8	22
56	24	107	200	22	82	1	35		24
90	24	66	200	35	50	1	35		24
131	24	45	200	35	35	1	35		26.5
168	24	35	200	35	26	1	35	Ban locked	26.5
270	24	22	200	35	17	1	35		26.5
506	24	12	200	35	9	1	35		29
810	24	7	200	35	5	1	35		29



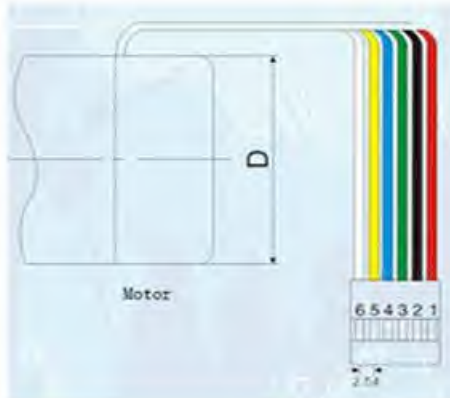
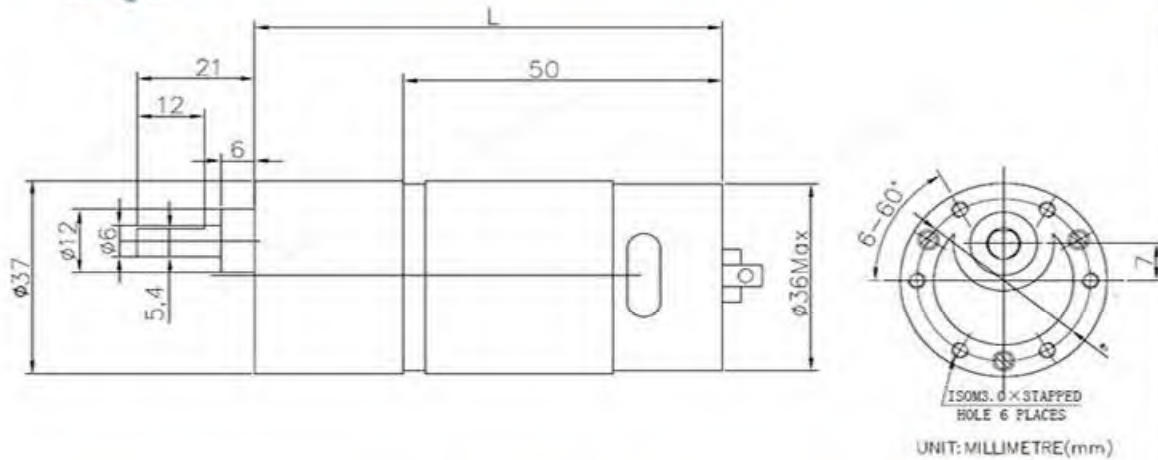
Shenzhen Jinshunlaite Motor.,Ltd.

web: www.aslongdcmotor.com/www.aslongmotor.com

Email: sales@aslongmotor.com



Model: JGB37-545B



- Encoder wiring diagram:
1. MOTOR+
 2. MOTOR-
 3. HALL SENSOR GND
 4. HALL SENSOR Vcc
 5. HALL SENSOR A Vout
 6. HALL SENSOR B Vout

Reduction ratio	Rated Volt	No Load		AT Load			STALL		Gearbox Length
		SPEED RPM	CURRENT mA	Torque KG.cm	SPEED RPM	Current A	TOGQCE KG.CM	CURRENT A	
6.3	6	500	100	0.2	400	0.45	1.5	1.8	19
10	6	312	100	0.4	260	0.45	2.5	1.8	19
19	6	166	100	0.8	140	0.45	4.7	1.8	22
30	6	104	100	1.2	88	0.45	7.5	1.8	22
56	6	55	100	2.2	47	0.45	14	1.8	24
90	6	35	100	3.2	29	0.45	22	1.8	24
131	6	24	100	5.2	20	0.45	32	1.8	26.5
168	6	19	100	6.7	15	0.45	35		26.5
270	6	11	100	10	9	0.45	35	Ban locked	26.5
506	6	6	100	20	5	0.45	35		29
810	6	4	100	32	3	0.45	35		29
6.3	12	1000	200	0.5	800	1	3	5	19
10	12	625	200	0.8	530	1	5	5	19
19	12	332	200	1.4	280	1	9.4	5	22
30	12	208	200	1.5	176	1	15	5	22
56	12	110	200	4.5	95	1	28	5	24
90	12	70	200	7.2	58	1	35		24
131	12	47	200	10.5	40	1	35		26.5
168	12	37	200	13.5	30	1	35	Ban locked	26.5
270	12	23	200	21.6	19	1	35		26.5
506	12	12	200	35	10	1	35		29
810	12	8	200	35	6.5	1	35		29
6.3	24	2000	400	1	1660	1.9	6	11	19
10	24	1250	400	1.6	1050	1.9	10	11	19
19	24	660	400	3	558	1.9	19	11	22
30	24	415	400	3.9	350	1.9	30	11	22
56	24	223	400	9	187	1.9	35		24
90	24	140	400	14	115	1.9	35		24
131	24	95	400	20	80	1.9	35		26.5
168	24	75	400	26	62	1.9	35	Ban locked	26.5
270	24	46	400	35	38	1.9	35		26.5
506	24	24	400	35	20	1.9	35		29
810	24	15	400	35	13	1.9	35		29



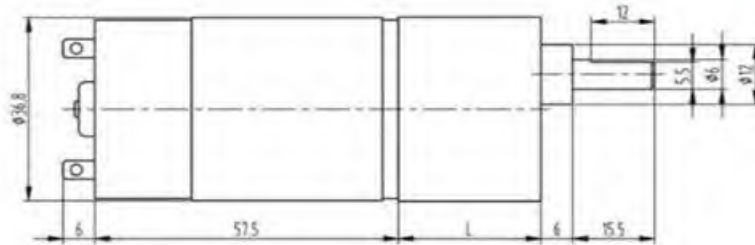
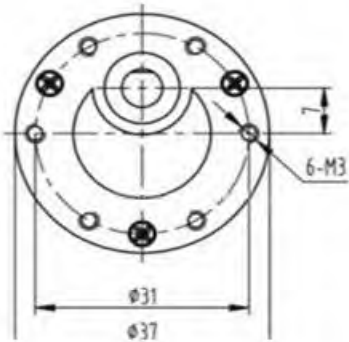
Shenzhen Jinshunlaite Motor.,Ltd.

web : www.aslongdcmotor.com/www.aslongmotor.com

Email : sales@aslongmotor.com



Model:JGB37-550



Reduction ratio коэффициент уменьшения	Voltage вольтаж		No load		Rated load Номинальная нагрузка			Stall (Maximum) (максимальная)		L The length of the Gearbox mm
			Speed r/min	Current A	Speed r/min	Current A	Torque kg.cm	Torque kg.cm	Current A	
1:00	Range	Rated								
6.3	3-9V	6V	1150	≤0.7	920	≤1.5	0.5	1	3	19
10	3-9V	6V	725	≤0.7	580	≤1.5	0.9	1.7	3	19
19	3-9V	6V	380	≤0.7	240	≤1.5	1.6	3.2	3	22
30	3-9V	6V	240	≤0.7	160	≤1.5	2.5	5	3	22
56	3-9V	6V	130	≤0.7	100	≤1.5	5	9.5	3	24
90	3-9V	6V	80	≤0.7	64	≤1.5	7.5	15.3	3	24
131	3-9V	6V	55	≤0.7	45	≤1.5	11	22	3	26.5
168	3-9V	6V	43	≤0.7	33	≤1.5	14	28	3	26.5
270	3-9V	6V	26	≤0.7	20	≤1.5	20	≤35KG	Prohibited Запрещено	29
506	3-9V	6V	14	≤0.7	11	≤1.5	25			
810	3-9V	6V	9	≤0.7	7	≤1.5	30			
6.3	6-18V	12V	2300	≤1	1900	≤2.5	1.2	2.1	6	19
10	6-18V	12V	1450	≤1	1160	≤2.5	0.5	3.4	6	19
19	6-18V	12V	770	≤1	600	≤2.5	1	6.3	6	22
30	6-18V	12V	480	≤1	380	≤2.5	1.5	10	6	22
56	6-18V	12V	260	≤1	200	≤2.5	3	19	6	24
90	6-18V	12V	160	≤1	130	≤2.5	4.5	30	6	24
131	6-18V	12V	110	≤1	88	≤2.5	7	≤35KG		26.5
168	6-18V	12V	86	≤1	69	≤2.5	9			
270	6-18V	12V	53	≤1	42	≤2.5	14			
506	6-18V	12V	28	≤1	22	≤2.5	26			
810	6-18V	12V	18	≤1	14	≤2.5	28			29



Shenzhen Jinshunlaite Motor.,Ltd.

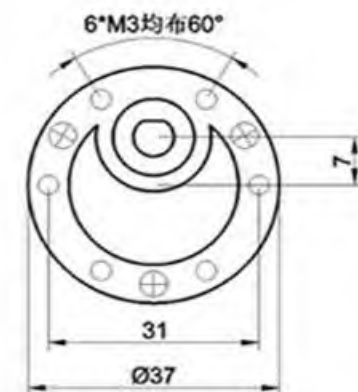
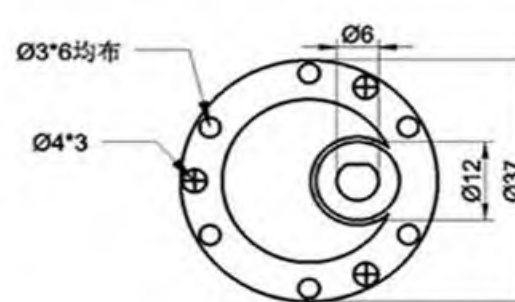
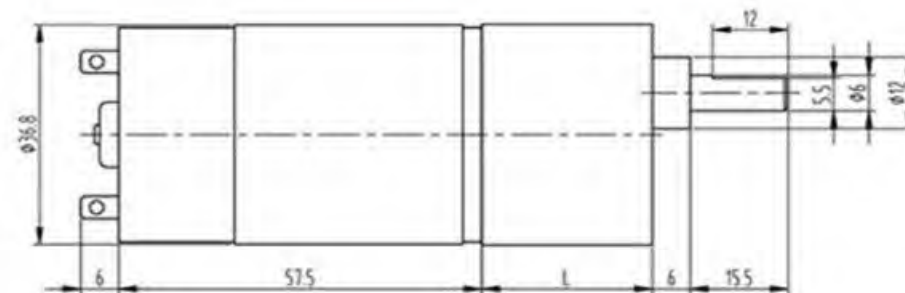
web : www.aslongdcmotor.com/www.aslongmotor.com

Email : sales@aslongmotor.com

ASLONG®

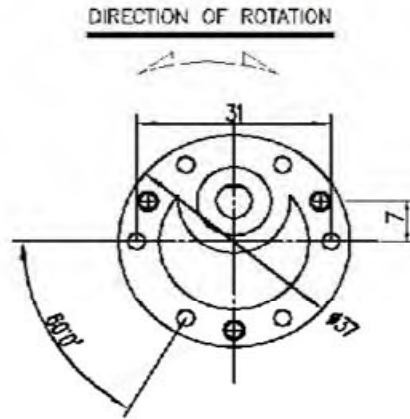
Model: JGB37-555

Model	Rated voltage	No load		Rated				Stall			
		Speed	Current	Speed	Current	Torque	Output power	Torque	Current	Weight	L size
	V	RPM	A	RPM	A	NM	W	NM	A	g	MM
JGB37-555-6.25K	12	800	0.2	650	1.2	0.12	8.22	0.35	6.5	295	19
JGB37-555-10K	12	500	0.2	407	1.2	0.2	8.56	0.7	6.5	295	19
JGB37-555-18.75K	12	267	0.2	217	1.2	0.37	8.44	1	6.5	300	22
JGB37-555-30K	12	167	0.2	136	1.2	0.6	8.56	1.6	6.5	300	22
JGB37-555-56.25K	12	89	0.2	72	1.2	1.12	8.52	3	6.5	305	24
JGB37-555-90K	12	56	0.2	45	1.2	1.8	8.56	5	6.5	305	24
JGB37-555-131.25K	12	38	0.2	31	1.2	2.6	8.48			310	26.5
JGB37-555-168.75K	12	30	0.2	24	1.2	3.36	8.52			310	26.5
JGB37-555-270K	12	19	0.2	15	1.2	5.4	8.56			315	29
JGB37-555-506.25K	12	10	0.2	8	1.2	7	5.92			315	29
JGB37-555-810K	12	6	0.2	5	1.2	7	3.7			315	29
JGB37-555-6.25K	24	800	0.1	650	0.9	0.12	8.22	0.5	4	295	19
JGB37-555-10K	24	500	0.1	407	0.9	0.2	8.56	0.8	4	295	19
JGB37-555-18.75K	24	267	0.1	217	0.9	0.37	8.44	1.46	4	300	22
JGB37-555-30K	24	167	0.1	136	0.9	0.6	8.56	2.3	4	300	22
JGB37-555-56.25K	24	89	0.1	72	0.9	1.12	8.52	4.37	4	305	24
JGB37-555-90K	24	56	0.1	45	0.9	1.8	8.56	7	4	305	24
JGB37-555-131.25K	24	38	0.1	31	0.9	2.6	8.48			310	26.5
JGB37-555-168.75K	24	30	0.1	24	0.9	3.36	8.52			310	26.5
JGB37-555-270K	24	19	0.1	15	0.9	5.4	8.56			315	29
JGB37-555-506.25K	24	10	0.1	8	0.9	7	5.92			315	29
JGB37-555-810K	24	6	0.1	5	0.9	7	3.7			315	29

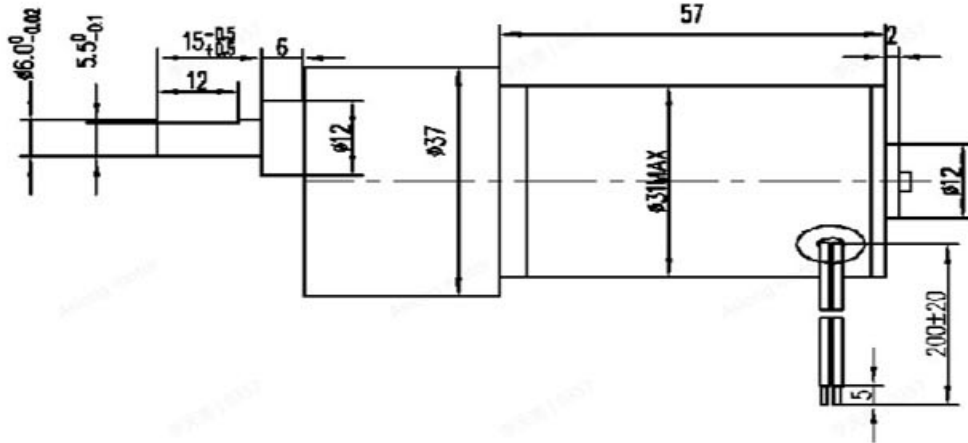




Shenzhen Jinshunlaite Motor.,Ltd.
 web : www.aslongdcmotor.com/www.aslongmotor.com
 Email : sales@aslongmotor.com



Model: JGB37-31ZY



Rated Volt	No Load		AT Load				STALL		Geabox
	SPEED	CURRENT	Torque	SPEED	Current	OUTPUT	TOGQCE	CURRENT	Length
V	RPM	mA	KG.cm	RPM	A	W	KG.CM	A	mm
12	1270	350	1.3	1050	1	10	3	6.5	19
12	800	350	2	660	1	10	5	6.5	19
12	420	350	3.8	350	1	10	9	6.5	22
12	260	350	6	220	1	10	15	6.5	22
12	140	350	11.2	110	1	10	27	6.5	24
12	90	350	18	73	1	10	35	6.5	24
12	60	350	26	50	1	10	35	6.5	26.5
12	47	350	33	40	1	10	35	6.5	26.5
12	30	350	35	24	1	10	35	6.5	26.5
12	16	350	35	13	1	10	35	6.5	29
12	10	350	35	8	1	10	35	6.5	29
24	1270	280	1.3	1050	1	20	1.3	4.4	19
24	800	280	2	660	1	20	2	4.4	19
24	420	280	3.8	350	1	20	3.8	4.4	22
24	260	280	6	220	1	20	6	4.4	22
24	140	280	11.2	110	1	20	11.2	4.4	24
24	90	280	18	73	1	20	18	4.4	24
24	60	280	26	50	1	20	26	4.4	26.5
24	47	280	33	40	1	20	33	4.4	26.5
24	30	280	35	24	1	20	35	4.4	26.5
24	16	280	35	13	1	20	35	4.4	29
24	10	280	35	8	1	20	35	4.4	29

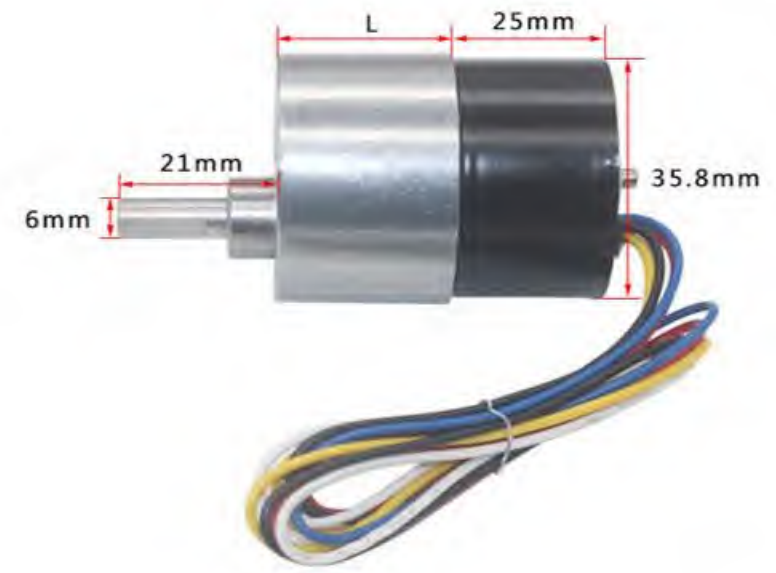
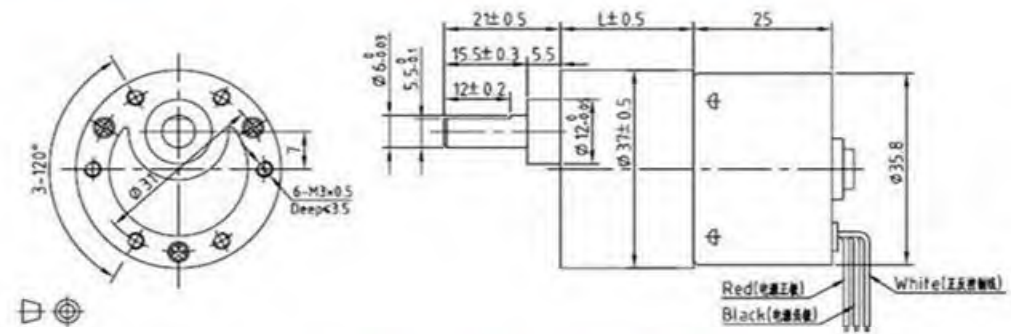


Shenzhen Jinshunlaite Motor.,Ltd.
 web : www.aslongdcmotor.com/www.aslongmotor.com
 Email : sales@aslongmotor.com



Model:JGB37-3525

Reduction ratio	Rated Volt V	No Load		AT Load			STALL		Gearbox Length mm
		SPEED RPM	CURRENT mA	Torque KG.cm	SPEED RPM	Current A	TOGQCE KG.CM	CURRENT A	
6.3	12	480	70	1	380	0.3	1.5	0.7	19
10	12	300	70	1.7	230	0.3	2.5	0.7	19
19	12	160	70	3.3	123	0.3	4.7	0.7	22
30	12	100	70	5	75	0.3	7.5	0.7	22
56	12	53	70	9.5	41	0.3	14	0.7	24
90	12	33	70	15	25	0.3	22.5	0.7	24
131	12	22	70	20	17	0.3	32	0.7	26.5
168	12	17	70	26	13	0.3	35	0.7	26.5
270	12	11	70	35	8	0.3	35	0.7	26.5
506	12	6	70	Ban Locked	4.5	0.3	35	0.7	29
810	12	4	70		2.5	0.3	35	0.7	29
6.3	24	960	130	2	738	0.6	3	1.3	19
10	24	600	130	3.5	460	0.6	5	1.3	19
19	24	320	130	6.6	246	0.6	9.5	1.3	22
30	24	200	130	10	150	0.6	15	1.3	22
56	24	107	130	19	80	0.6	28	1.3	24
90	24	66	130	30	55	0.6	35	1.3	24
131	24	45	130	35	34	0.6	35	1.3	26.5
168	24	35	130	Ban Locked	26	0.6	35	1.3	26.5
270	24	22	130		17	0.6	35	1.3	26.5
506	24	12	130		9	0.6	35	1.3	29
810	24	7	130		5	0.6	35	1.3	29





Shenzhen Jinshunlaite Motor.,Ltd.

web : www.aslongdcmotor.com/www.aslongmotor.com

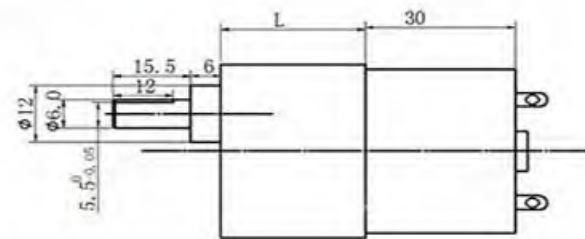
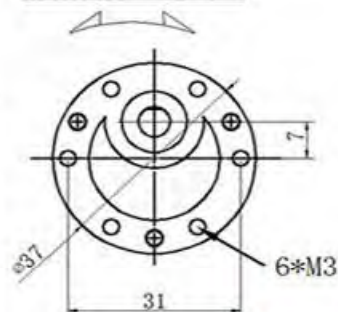
✦ Email : sales@aslongmotor.com



Model:JGB37-3530

Reduction ratio	Rated Volt V	No Load		AT Load			STALL		Gearbox Length mm	
		SPEED RPM	CURRENT mA	Torque KG.cm	SPEED RPM	Current A	OUTPUT W	TOGQCE KG.CM		CURRENT A
6.25	12	1600	120	0.3	1120	400	4.8	1	1.2	19
10	12	1000	120	0.38	800	400	4.8	1.52	1.2	19
18.8	12	531	120	0.7	424	400	4.8	2.8	1.2	22
30	12	333	120	1.14	266	400	4.8	4.5	1.2	22
56	12	178	120	2.1	412	400	4.8	8.4	1.2	24
90	12	111	120	3.4	88	400	4.8	13	1.2	24
131	12	76	120	5	60	400	4.8	20	1.2	26.5
168	12	59	120	6.3	47	400	4.8	25	1.2	26.5
270	12	37	120	10	29	400	4.8	40	1.2	26.5
506	12	20	120	19	16	400	4.8	Ban	1.2	29
810	12	12	120	30	9	400	4.8	Ban	1.2	29
6.25	24	960	50	0.2	672	100	2.5	1	0.9	19
10	24	600	50	0.29	480	100	2.5	1.16	0.9	19
18.8	24	319	50	0.54	255	100	2.5	2.1	0.9	22
30	24	200	50	1.1	160	100	2.5	4.4	0.9	22
56	24	107	50	1.6	85	100	2.5	6.4	0.9	24
90	24	66	50	2.61	52	100	2.5	10	0.9	24
131	24	45	50	3.7	36	100	2.5	14.8	0.9	26.5
168	24	35	50	4.8	28	100	2.5	19	0.9	26.5
270	24	22	50	7.8	18	100	2.5	31	0.9	26.5
506	24	12	50	14	10	100	2.5	Ban	0.9	29
810	24	7	50	23	5.6	100	2.5	Ban	0.9	29

DIRECTION OF ROTATION



L is gearbox length



Shenzhen Jinshunlaite Motor.,Ltd.

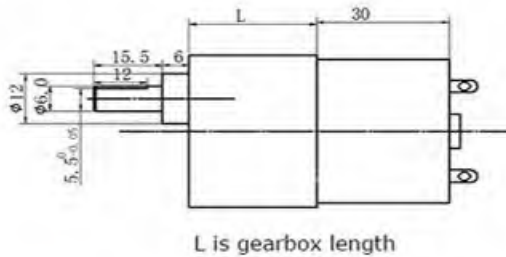
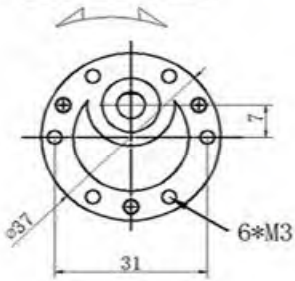
web : www.aslongdcmotor.com/www.aslongmotor.com

Email : sales@aslongmotor.com

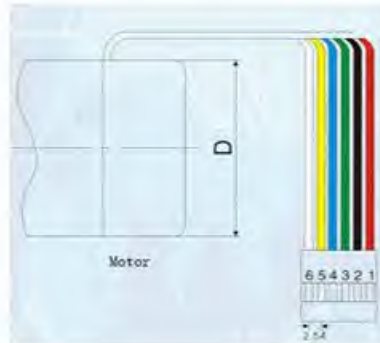


Model: JGB37-3530B

DIRECTION OF ROTATION



Reduction ratio	Rated Volt	No Load			AT Load			STALL		Gearbox Length
		SPEED	CURRENT	Torque	SPEED	Current	OUTPUT	TOGQCE	CURRENT	
	V	RPM	mA	KG.cm	RPM	A	W	KG_CM	A	mm
6.25	12	1600	120	0.3	1120	400	4.8	1	1.2	19
10	12	1000	120	0.38	800	400	4.8	1.52	1.2	19
18.8	12	531	120	0.7	424	400	4.8	2.8	1.2	22
30	12	333	120	1.14	266	400	4.8	4.5	1.2	22
56	12	178	120	2.1	412	400	4.8	8.4	1.2	24
90	12	111	120	3.4	88	400	4.8	13	1.2	24
131	12	76	120	5	60	400	4.8	20	1.2	26.5
168	12	59	120	6.3	47	400	4.8	25	1.2	26.5
270	12	37	120	10	29	400	4.8	40	1.2	26.5
506	12	20	120	19	16	400	4.8	Ban	1.2	29
810	12	12	120	30	9	400	4.8	Ban	1.2	29
6.25	24	960	50	0.2	672	100	2.5	1	0.9	19
10	24	600	50	0.29	480	100	2.5	1.16	0.9	19
18.8	24	319	50	0.54	255	100	2.5	2.1	0.9	22
30	24	200	50	1.1	160	100	2.5	4.4	0.9	22
56	24	107	50	1.6	85	100	2.5	6.4	0.9	24
90	24	66	50	2.61	52	100	2.5	10	0.9	24
131	24	45	50	3.7	36	100	2.5	14.8	0.9	26.5
168	24	35	50	4.8	28	100	2.5	19	0.9	26.5
270	24	22	50	7.8	18	100	2.5	31	0.9	26.5
506	24	12	50	14	10	100	2.5	Ban	0.9	29
810	24	7	50	23	5.6	100	2.5	Ban	0.9	29



Encoder wiring diagram:

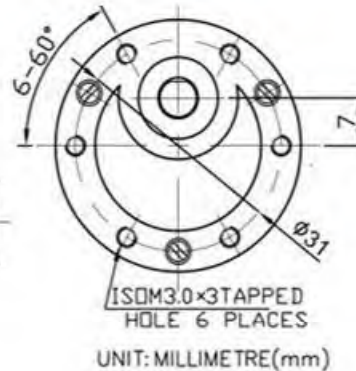
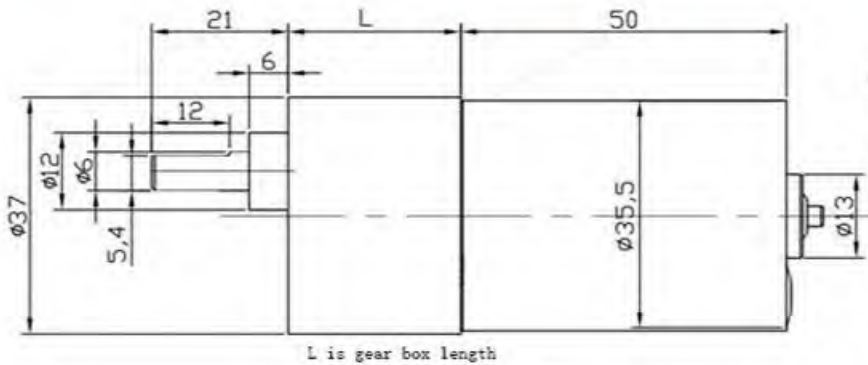
1. MOTOR+
2. MOTOR-
3. HALL SENSOR GND
4. HALL SENSOR Vcc
5. HALL SENSOR A Vout
6. HALL SENSOR B Vout



Shenzhen Jinshunlaite Motor.,Ltd.

web: www.aslongdcmotor.com/www.aslongmotor.com

Email: sales@aslongmotor.com



Model: JGB37-3650

Wiring Diagram:

- Power -
- Power +
- Cw/ccw, put this line on the black line, then change motor turn
- FG hall signal, 6 signals/R
- Pwm (0-5volt)

JGB37-3650 DC12V Brushless Gear Motor:

Reduction Ratio	6.3	10	18.8	30	56	90	131	168	270	506	810
No load Current (mA)	<150	<150	<150	<150	<150	<150	<150	<150	<150	<150	<150
No load RPM	634	400	212	133	71	44	36	23	15	8	5
Load torque (Kg,cm)	1.2	1.9	3.5	5.7	10.5	17	24	31	35	35	35
Load RPM	487	300	160	100	54	33	27	15	11	6	4
Load Current (mA)	<600	<600	<600	<600	<600	<600	<600	<600	<600	<600	<600
Max Torque (Kg.cm)	2.4	3.8	7	11	21	34	Max load 35KG				
Gear box length (mm)	19	19	22	22	24	24	26.5	26.5	26.5	29	29

JGB37-3650 DC24V Brushless Gear Motor:

Reduction Ratio	6.3	10	18.8	30	56	90	131	168	270	506	810
No load Current (mA)	<180	<180	<180	<180	<180	<180	<180	<180	<180	<180	<180
No load RPM	1270	800	425	266	142	88	61	47	29	16	10
Load torque (Kg,cm)	2.4	3.8	7	11	21	34	35	35	35	35	35
Load RPM	970	600	326	200	100	67	46	36	22	12	8
Load Current (mA)	<1000	<1000	<1000	<1000	<1000	<1000	<1000	<1000	<1000	<1000	<1000
Max Torque (Kg.cm)	4.7	7.6	14	22.8	35	Max load 35KG					
Gear box length (mm)	19	19	22	22	24	24	26.5	26.5	26.5	29	29



Shenzhen Jinshunlaite Motor.,Ltd.

web: www.aslongdcmotor.com/www.aslongmotor.com

Email: sales@aslongmotor.com



Model: JGY-370S

Model: DC worm gear motor JGY-370

Rated DC6V660 testing parameter table

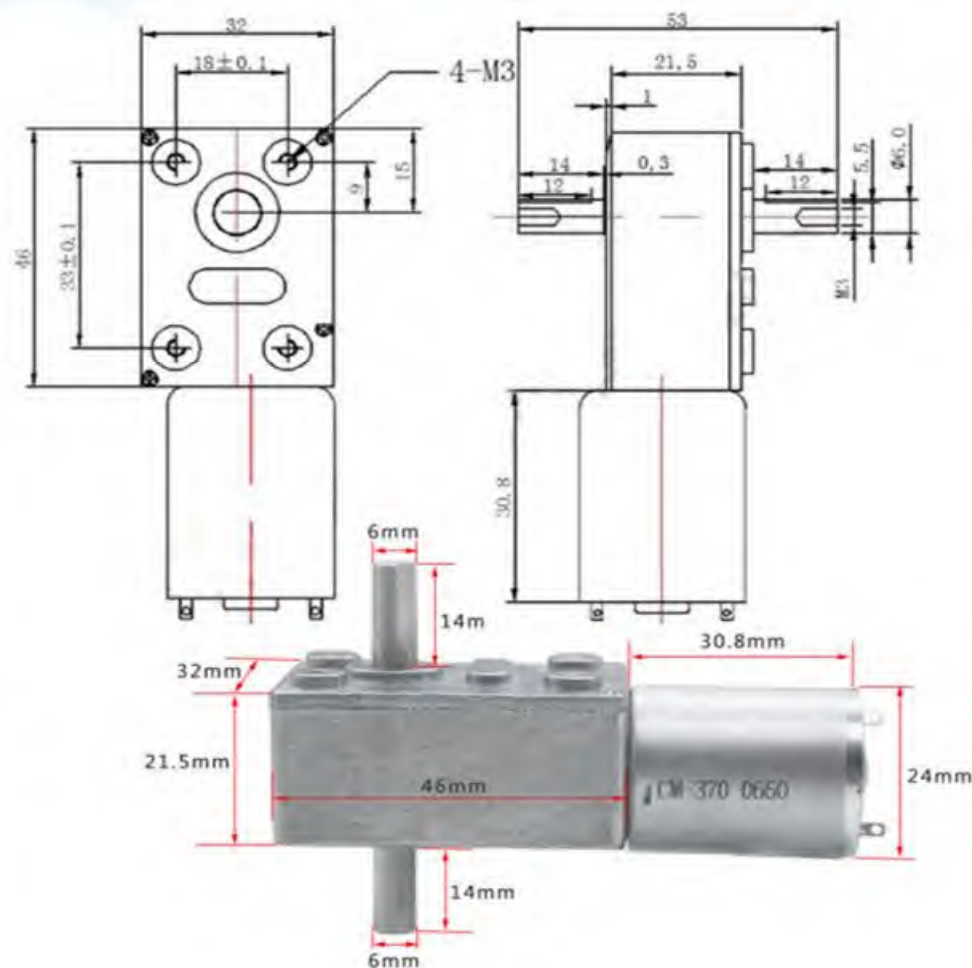
Reduction ratio	40	65	90	150	200	260	340	600	1000
No load current MA	≤100	≤100	≤100	≤100	≤100	≤100	≤100	≤100	≤100
No load speed rpm	150	90	66	40	30	23	18	10	6
Rated torque kg.cm	0.2	0.5	0.7	2.0	5.3	6.7	9	15.9	26.5
Rated speed rpm	120	70	51	30	22	18	15	7.5	4
Rated current A	≤0.6	≤0.6	≤0.6	≤0.6	≤0.6	≤0.6	≤0.6	≤0.6	≤0.6
Max torque kg.cm	0.9	1.6	2	7.5	10	13	18	30	45
Stop current A	3.3	3.3	3.3	3.3	3.3	3.3	3.3	3.3	3.3

Rated DC12V1260 testing parameter table

Reduction ratio	40	65	90	150	200	260	340	600	1000
No load current MA	≤60	≤60	≤60	≤60	≤60	≤60	≤60	≤60	≤60
No load speed rpm	150	90	66	40	30	23	18	10	6
Rated torque kg.cm	0.2	0.5	0.7	2.0	5.3	6.7	9	15.9	26.5
Rated speed rpm	120	70	51	30	22	18	15	7.5	4
Rated current A	≤0.6	≤0.6	≤0.6	≤0.6	≤0.6	≤0.6	≤0.6	≤0.6	≤0.6
Max torque kg.cm	0.9	1.6	2	7.5	10	13	18	30	45
Stop current A	1.7	1.7	1.7	1.7	1.7	1.7	1.7	1.7	1.7

Rated DC24V2460 testing parameter table

Reduction ratio	40	65	90	150	200	260	340	600	1000
No load current MA	≤40	≤40	≤40	≤40	≤40	≤40	≤40	≤40	≤40
No load speed rpm	150	90	66	40	30	23	18	10	6
Rated torque kg.cm	0.2	0.5	0.7	2.0	5.3	6.7	9	15.9	26.5
Rated speed rpm	120	70	51	30	22	18	15	7.5	4
Rated current A	≤0.3	≤0.3	≤0.3	≤0.3	≤0.3	≤0.3	≤0.3	≤0.3	≤0.3
Max torque kg.cm	0.9	1.6	2	7.5	10	13	18	30	45
Stop current A	0.85	0.85	0.85	0.85	0.85	0.85	0.85	0.85	0.85





Shenzhen Jinshunlaite Motor.,Ltd.

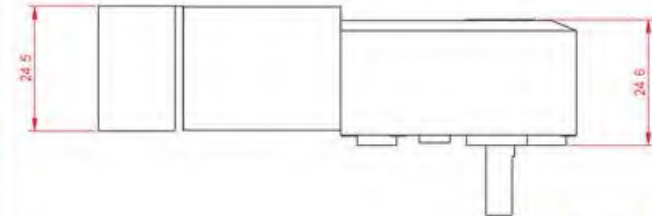
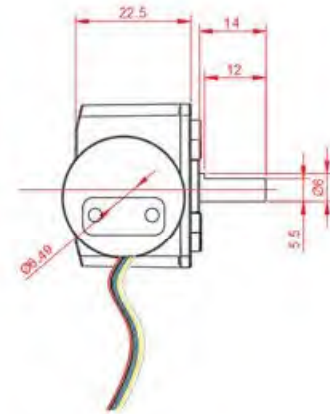
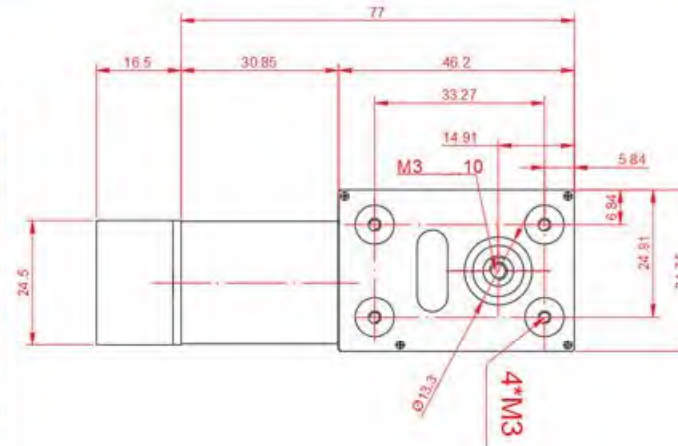
web : www.aslongdcmotor.com/www.aslongmotor.com

Email : sales@aslongmotor.com



Model:JGY370GB

Rated DC6V660 testing parameter table									
Reduction ratio	40	65	90	150	200	260	340	600	1000
No load current mA	≤100	≤100	≤100	≤100	≤100	≤100	≤100	≤100	≤100
No load speed rpm	150	90	66	40	30	23	18	10	6
Rated torque kg.cm	0.2	0.5	0.7	2	5.3	6.7	9	15.9	26.5
Rated speed rpm	120	70	51	30	22	18	15	7.5	4
Rated current A	≤0.6	≤0.6	≤0.6	≤0.6	≤0.6	≤0.6	≤0.6	≤0.6	≤0.6
Max torque kg.cm	0.9	1.6	2	7.5	10	13	18	30	45
Stall current A	3.3	3.3	3.3	3.3	3.3	3.3	3.3	3.3	3.3
Rated DC12V1260 testing parameter table									
Reduction ratio	40	65	90	150	200	260	340	600	1000
No load current mA	≤60	≤60	≤60	≤60	≤60	≤60	≤60	≤60	≤60
No load speed rpm	150	90	66	40	30	23	18	10	6
Rated torque kg.cm	0.2	0.5	0.7	2	5.3	6.7	9	15.9	26.5
Rated speed rpm	120	70	51	30	22	18	15	7.5	4
Rated current A	≤0.6	≤0.6	≤0.6	≤0.6	≤0.6	≤0.6	≤0.6	≤0.6	≤0.6
Max torque kg.cm	0.9	1.6	2	7.5	10	13	18	30	45
Stall current A	1.7	1.7	1.7	1.7	1.7	1.7	1.7	1.7	1.7
Rated DC24V2460 testing parameter table									
Reduction ratio	40	65	90	150	200	260	340	600	1000
No load current mA	≤40	≤40	≤40	≤40	≤40	≤40	≤40	≤40	≤40
No load speed rpm	150	90	66	40	30	23	18	10	6
Rated torque kg.cm	0.2	0.5	0.7	2	5.3	6.7	9	15.9	26.5
Rated speed rpm	120	70	51	30	22	18	15	7.5	4
Rated current A	≤0.3	≤0.3	≤0.3	≤0.3	≤0.3	≤0.3	≤0.3	≤0.3	≤0.3
Max torque kg.cm	0.9	1.6	2	7.5	10	13	18	30	45
Stall current A	0.85	0.85	0.85	0.85	0.85	0.85	0.85	0.85	0.85



unit: mm

This reducer has a theoretical complete machine self-locking

Shenzhen Jinshunlaite Motor.,Ltd.

web: www.aslongdcmotor.com/www.aslongmotor.com

Email: sales@aslongmotor.com



Model: JGY-370-M8*33

Model: DC worm gear motor JGY-370

Rated DC6V testing parameter table

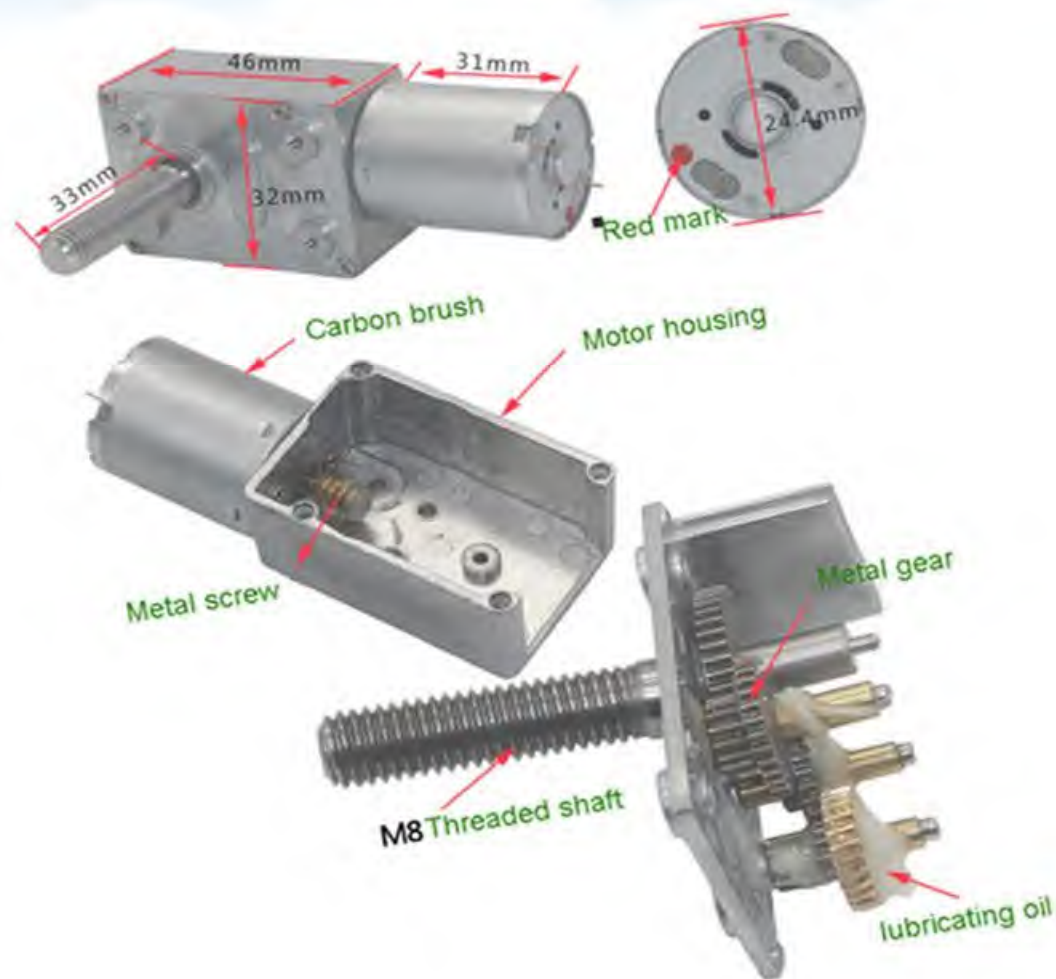
Reduction ratio	40	65	90	150	200	260	340	600	1000
No load current MA	≤100	≤100	≤100	≤100	≤100	≤100	≤100	≤100	≤100
No load speed rpm	150	90	66	40	30	23	18	10	6
Rated torque kg cm	0.2	0.5	0.7	2	5.3	6.7	9.0	15.9	26.5
Rated speed rpm	120	70	51	30	22	18	13	7.5	4
Rated current A	≤0.6	≤0.6	≤0.6	≤0.6	≤0.6	≤0.6	≤0.6	≤0.6	≤0.6
Max torque kg cm	0.9	1.6	2	7.5	10	13	18	30	45
Stop current A	3.3	3.3	3.3	3.3	3.3	3.3	3.3	3.3	3.3

Rated DC12V testing parameter table

Reduction ratio	40	65	90	150	200	260	340	600	1000
No load current MA	≤60	≤60	≤100	≤60	≤60	≤60	≤60	≤60	≤60
No load speed rpm	150	90	66	40	30	23	18	10	6
Rated torque kg cm	0.2	0.5	0.7	2	5.3	6.7	9.0	15.9	26.5
Rated speed rpm	120	70	51	30	22	18	15	7.5	4
Rated current A	≤0.6	≤0.6	≤0.6	≤0.6	≤0.6	≤0.6	≤0.6	≤0.6	≤0.6
Max torque kg cm	0.9	1.6	2	7.5	10	13	18	30	45
Stop current A	1.7	1.7	3.3	1.7	1.7	1.7	1.7	1.7	1.7

Rated DC24V testing parameter table

Reduction ratio	40	65	90	150	200	260	340	600	1000
No load current MA	≤40	≤40	≤100	≤40	≤40	≤40	≤40	≤40	≤40
No load speed rpm	150	90	66	40	30	23	18	10	6
Rated torque kg cm	0.2	0.5	0.7	2	5.3	6.7	9.0	15.9	26.5
Rated speed rpm	120	70	51	30	22	18	15	7.5	4
Rated current A	≤0.3	≤0.3	≤0.3	≤0.3	≤0.3	≤0.3	≤0.3	≤0.3	≤0.3
Max torque kg cm	0.9	1.6	2	7.5	10	13	18	30	45
Stop current A	0.85	0.85	3.3	0.85	0.85	0.85	0.85	0.85	0.85





Shenzhen Jinshunlaite Motor.,Ltd.

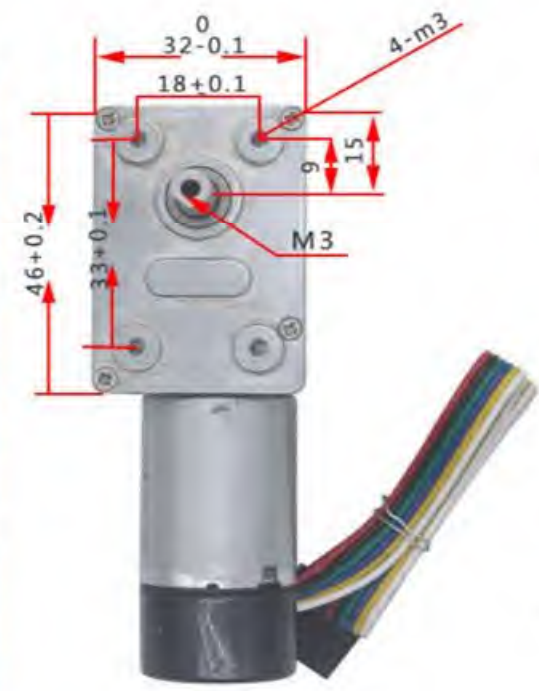
web : www.aslongdcmotor.com/www.aslongmotor.com

Email : sales@aslongmotor.com



Model:JGY370SGB

Rated DC6V860 testing parameter table									
Reduction ratio	40	65	90	150	200	260	340	600	1000
No load current mA	≤100	≤100	≤100	≤100	≤100	≤100	≤100	≤100	≤100
No load speed rpm	150	90	66	40	30	23	18	10	6
Rated torque kg cm	0.2	0.5	0.7	2	5.3	6.7	9	15.9	26.5
Rated speed rpm	120	70	51	30	22	18	15	7.5	4
Rated current A	≤0.6	≤0.6	≤0.6	≤0.6	≤0.6	≤0.6	≤0.6	≤0.6	≤0.6
Max torque kg cm	0.9	1.6	2	7.5	10	13	18	30	45
Stall current A	3.3	3.3	3.3	3.3	3.3	3.3	3.3	3.3	3.3
Rated DC12V1260 testing parameter table									
Reduction ratio	40	65	90	150	200	260	340	600	1000
No load current mA	≤60	≤60	≤60	≤60	≤60	≤60	≤60	≤60	≤60
No load speed rpm	150	90	66	40	30	23	18	10	6
Rated torque kg cm	0.2	0.5	0.7	2	5.3	6.7	9	15.9	26.5
Rated speed rpm	120	70	51	30	22	18	15	7.5	4
Rated current A	≤0.6	≤0.6	≤0.6	≤0.6	≤0.6	≤0.6	≤0.6	≤0.6	≤0.6
Max torque kg cm	0.9	1.6	2	7.5	10	13	18	30	45
Stall current A	1.7	1.7	1.7	1.7	1.7	1.7	1.7	1.7	1.7
Rated DC24V2460 testing parameter table									
Reduction ratio	40	65	90	150	200	260	340	600	1000
No load current mA	≤40	≤40	≤40	≤40	≤40	≤40	≤40	≤40	≤40
No load speed rpm	150	90	66	40	30	23	18	10	6
Rated torque kg cm	0.2	0.5	0.7	2	5.3	6.7	9	15.9	26.5
Rated speed rpm	120	70	51	30	22	18	15	7.5	4
Rated current A	≤0.3	≤0.3	≤0.3	≤0.3	≤0.3	≤0.3	≤0.3	≤0.3	≤0.3
Max torque kg cm	0.9	1.6	2	7.5	10	13	18	30	45
Stall current A	0.85	0.85	0.85	0.85	0.85	0.85	0.85	0.85	0.85

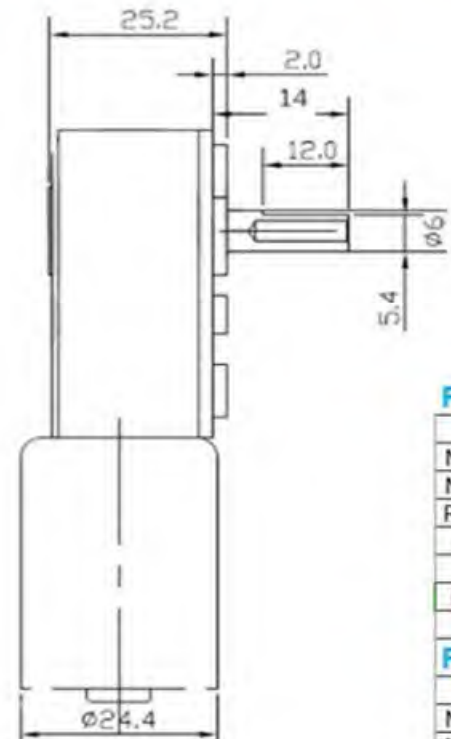
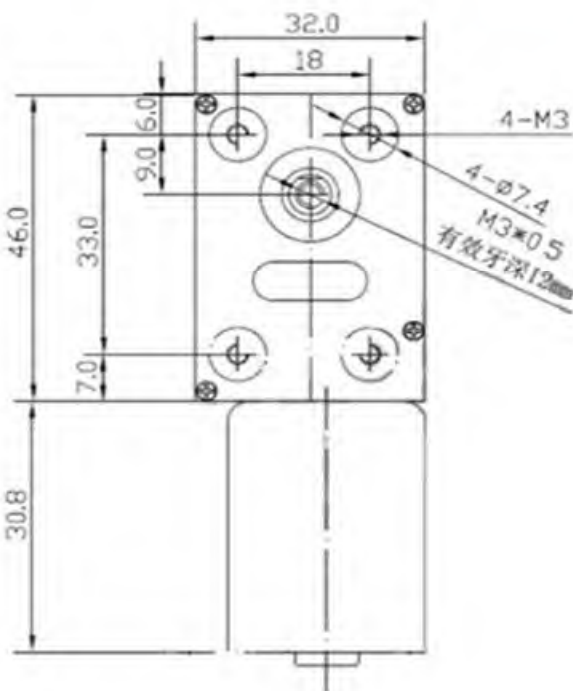




Shenzhen Jinshunlaite Motor.,Ltd.

web: www.aslongdcmotor.com/www.aslongmotor.com

Email: sales@aslongmotor.com



Model: JGY-2430

Rated DC12V testing parameter table

Reduction ratio	40	65	150	200	260	340	600	1000
No load current MA	≤130	≤130	≤130	≤130	≤130	≤130	≤130	≤130
No load speed rpm	150	90	40	30	23	18	10	6
Rated torque kg.cm	1.5	3	7	9	12	15	21	25.0
Rated speed rpm	100	70	30	22	17	13	7	4
Rated current A	≤0.8	≤0.8	≤0.8	≤0.8	≤0.8	≤0.8	≤0.8	≤0.8
Max torque kg.cm	2.5	4.2	10	13	17	22	Max 25kg	
Stop current A	1.8	1.8	1.8	1.8	1.8	1.8	Ban stall	

Rated DC24V testing parameter table

Reduction ratio	40	65	150	200	260	340	600	1000
No load current MA	≤80	≤80	≤80	≤80	≤80	≤80	≤80	≤80
No load speed rpm	150	90	40	30	23	18	10	6
Rated torque kg.cm	2	3.5	8	10	14	17	20	25.0
Rated speed rpm	100	70	30	22	17	13	7	4
Rated current A	≤0.5	≤0.5	≤0.5	≤0.5	≤0.5	≤0.5	≤0.5	≤0.5
Max torque kg.cm	3	4.9	11.5	15	20	25	Max 25kg	
Stop current A	1.3	1.3	1.3	1.3	1.3	1.3	Ban stall	

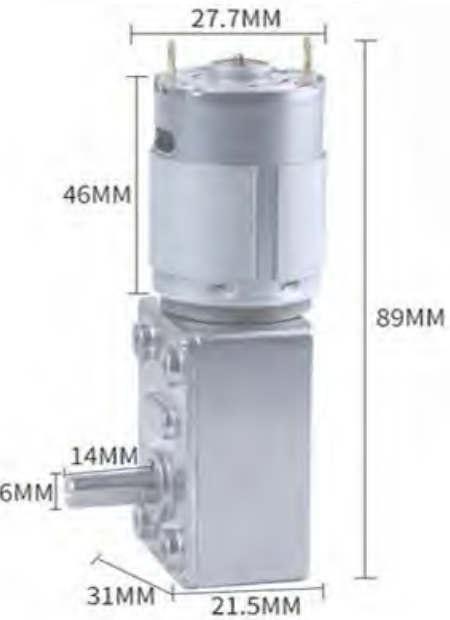
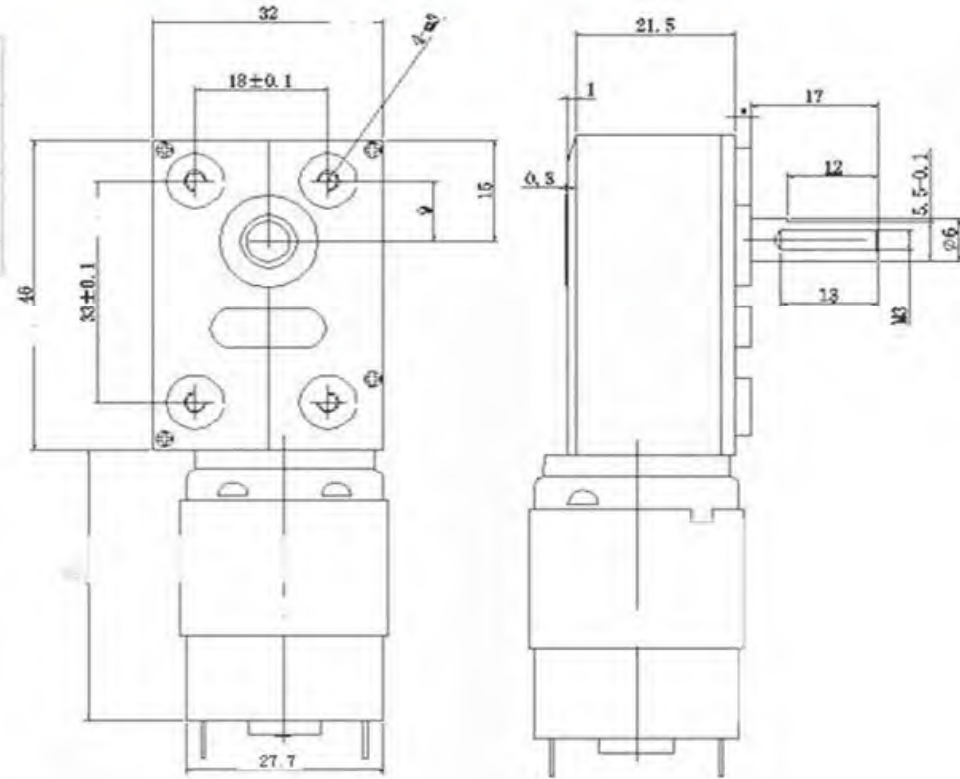


Shenzhen Jinshunlaite Motor.,Ltd.
 web : www.aslongdcmotor.com/www.aslongmotor.com
 Email : sales@aslongmotor.com



Model:JGY385

Workable Range	Rated Volt.V	Speed rpm	Current ma	Speed rpm	Current ma	Torque kg.cm	Output W	Torque kg.cm	Current A	Ratio 1:00	unit g
12-24V	24	200	80	140	450	1	6	4	1.6	37.3	200
12-24V	24	50	80	35	450	4	6	15	1.6	150	200
12-24V	24	23	80	16	450	10	6	30	1.6	324	200
12-24V	24	13	80	9	450	20	6	50	1.6	588	200
12-24V	24	8	80	5	450	30	6	60	1.6	972	200

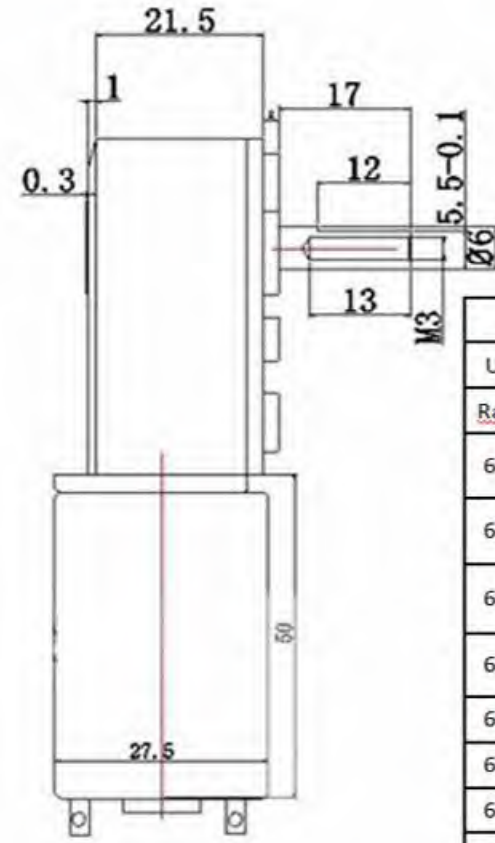
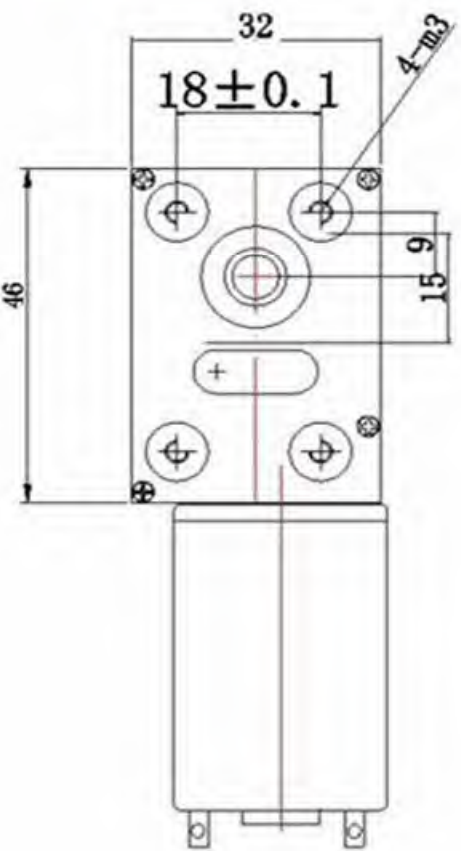




Shenzhen Jinshunlaite Motor.,Ltd.
 web : www.aslongdcmotor.com/www.aslongmotor.com
 Email : sales@aslongmotor.com



Model:JGY395



Voltage		No load		Load				Stall		Reduction Ratio	(L) Size mm
Using Range	The Rated	Speed r/min	Current ma	Speed r/min	Current A	Torque Kg.cm	Power 8	Torque 9	Current A		
6-12V	12v	201	150	140	1	2.3	8	36	6	37.3	46
6-12V	12v	50	150	38	1	9	8	60	6	150	46
6-12V	12v	30	150	24	1	15	8	prohibit	6	250	46
6-12V	12v	23	150	19	1	18	8		6	324	46
6-12V	12v	12	150	10	1	20	8		6	600	46
6-12V	12v	8	150	6.5	1	25	8		6	972	46
6-12V	12v	4.5	150	3.5	1	30	8		6	1700	46
6-12V	12v	2.5	150	2	1	40	8		6	2900	46

Shenzhen Jinshunlaite Motor.,Ltd.

web: www.aslongdcmotor.com/www.aslongmotor.com

Email: sales@aslongmotor.com



Model:5840-31ZY

Rated DC12V1280 testing parameter table

Reduction ratio	17	31	50	100	200	290	505	670
No load current MA	≤350	≤350	≤350	≤350	≤350	≤350	≤350	≤350
No load speed rpm	470	260	160	80	40	27	16	12
Rated torque kg.cm	3.4	6.2	10.0	20.0	40.0	60.0	70.0	70.0
Rated speed rpm	380	200	130	60	30	20	12	9
Rated current A	≤1.6	≤1.6	≤1.6	≤1.6	≤1.6	≤1.6	≤1.6	≤1.6
Max torque kg.cm	8.5	16	25	50	70.0	70.0	70.0	70.0
Stop current A	6.5	6.5	6.5	6.5	6.5	6.5	6.5	6.5

Rated DC24V2480 testing parameter table

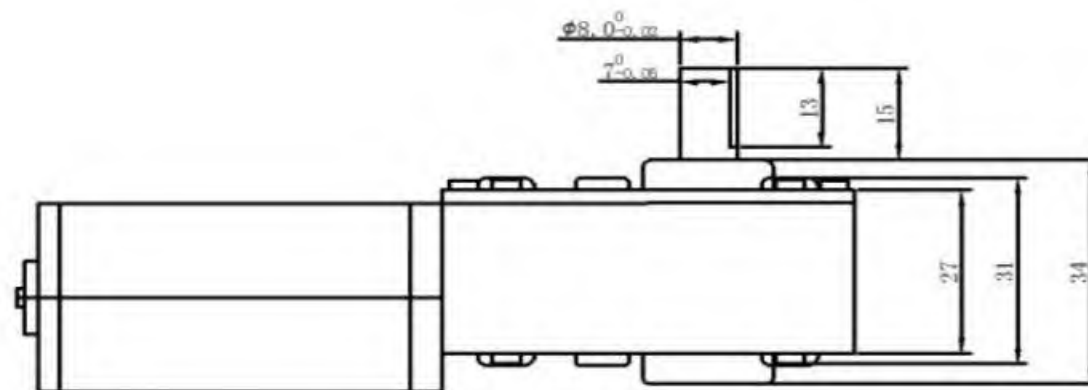
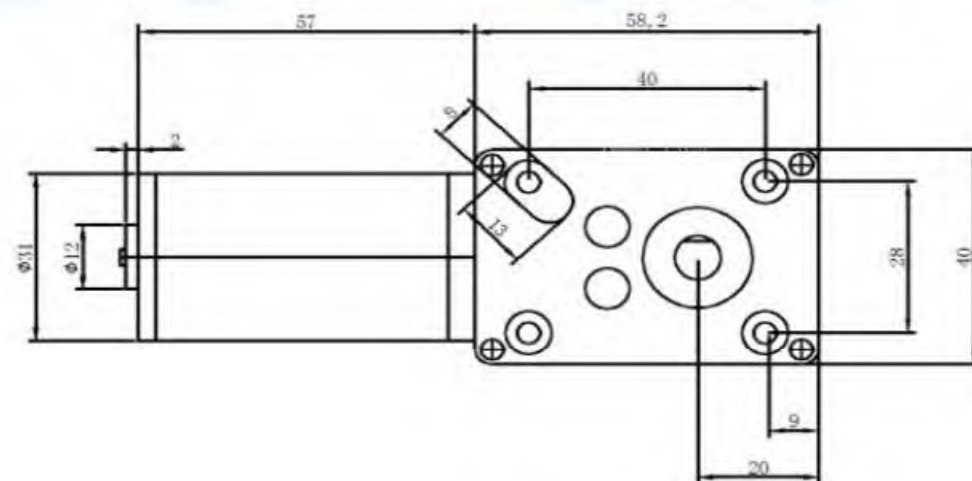
Reduction ratio	17	31	50	100	200	290	505	670
No load current MA	≤200	≤200	≤200	≤200	≤200	≤200	≤200	≤200
No load speed rpm	470	260	160	80	40	27	16	12
Rated torque kg.cm	3.4	6.2	10.0	20.0	40.0	60.0	70.0	70.0
Rated speed rpm	380	200	130	60	30	20	12	9
Rated current A	≤1.6	≤1.6	≤1.6	≤1.6	≤1.6	≤1.6	≤1.6	≤1.6
Max torque kg.cm	10.0	18	30.0	60.0	70.0	70.0	70.0	70.0
Stop current A	4.4	4.4	4.4	4.4	4.4	4.4	4.4	4.4

Rated DC24V2450 testing parameter table

Reduction ratio	17	31	50	100	200	290	505	670
No load current MA	≤100	≤100	≤100	≤100	≤100	≤100	≤100	≤100
No load speed rpm	300	160	100	50	25	17	10	7
Rated torque kg.cm	3.4	6.2	10.0	20.0	40.0	60.0	70.0	70.0
Rated speed rpm	230	130	80	40	20	14	8	5
Rated current A	≤0.6	≤0.6	≤0.6	≤0.6	≤0.6	≤0.6	≤0.6	≤0.6
Max torque kg.cm	8.0	15	25.0	51.0	70.0	70.0	70.0	70.0
Stop current A	2.0	2.0	2.0	2.0	2.0	2.0	2.0	2.0

Rated DC24V2435 testing parameter table

Reduction ratio	17	31	50	100	200	290	505	670
No load current MA	≤100	≤100	≤100	≤100	≤100	≤100	≤100	≤100
No load speed rpm	230	110	70	35	17	12	7	5
Rated torque kg.cm	3.4	6.2	10.0	20.0	40.0	60.0	70.0	70.0
Rated speed rpm	200	130	80	40	20	14	8	5
Rated current A	≤0.6	≤0.6	≤0.6	≤0.6	≤0.6	≤0.6	≤0.6	≤0.6
Max torque kg.cm	5.0	9	15.0	29.0	60.0	70.0	70.0	70.0
Stop current A	1.4	1.4	1.4	1.4	1.4	1.4	1.4	1.4





Shenzhen Jinshunlaite Motor.,Ltd.
 web : www.aslongdcmotor.com/www.aslongmotor.com
 Email : sales@aslongmotor.com



Model:5840-31ZY-M8*116

5840-31ZY:2435									
Rated voltage	Reduction ratio	No load		rated			Max Load		weight
		speed ±10%	current	speed ±10%	current	Torque	Torque	current	
	1: X	rpm	A	rpm	A	Kg.cm	Kg.cm	A	g
DC 24V	17	205	≤0.1	164	≤0.6	1.9	5.6	≤1.4	≈360
	31	110	≤0.1	90	≤0.6	3.5	10.1	≤1.4	≈360
	50	70	≤0.1	56	≤0.6	5.6	16.8	≤1.4	≈360
	100	35	≤0.1	30	≤0.6	11.2	33.6	≤1.4	≈360
	200	17	≤0.1	14	≤0.6	22.4	39.2	≤1.4	≈360
	290	12	≤0.1	10	≤0.6	33.6	39.2	≤1.4	≈360
	505	7	≤0.1	5.5	≤0.6	39.2	39.2	≤1.4	≈360
	670	5	≤0.1	4	≤0.6	39.2	39.2	≤1.4	≈360

No locked rotor

5840-31ZY:1280									
Rated voltage	Reduction ratio	No load		rated			Max Load		weight
		speed ±10%	current	speed ±10%	current	Torque	Torque	current	
	1: X	rpm	A	rpm	A	Kg.cm	Kg.cm	A	g
DC 12V	17	470	≤0.35	380	≤1.6	3.4	8.5	≤6.5	≈360
	31	260	≤0.35	200	≤1.6	6.2	16.0	≤6.5	≈360
	50	160	≤0.35	130	≤1.6	10.0	25.0	≤6.5	≈360
	100	80	≤0.35	60	≤1.6	20.0	50.0	≤6.5	≈360
	200	40	≤0.35	30	≤1.6	40.0	70.0	≤6.5	≈360
	290	27	≤0.35	20	≤1.6	60.0	70.0	≤6.5	≈360
	505	16	≤0.35	12	≤1.6	70.0	70.0	≤6.5	≈360
	670	12	≤0.35	9	≤1.6	70.0	70.0	≤6.5	≈360

No locked rotor



5840-31ZY:2480									
Rated voltage	Reduction ratio	No load		rated			Max Load		weight
		speed ±10%	current	speed ±10%	current	Torque	Torque	current	
	1: X	rpm	A	rpm	A	Kg.cm	Kg.cm	A	g
DC 24V	17	470	≤0.2	380	≤1.6	3.4	10.0	≤4.4	≈360
	31	260	≤0.2	200	≤1.6	6.2	18.0	≤4.4	≈360
	50	160	≤0.2	130	≤1.6	10.0	30.0	≤4.4	≈360
	100	80	≤0.2	60	≤1.6	20.0	60.0	≤4.4	≈360
	200	40	≤0.2	30	≤1.6	40.0	70.0	≤4.4	≈360
	290	27	≤0.2	20	≤1.6	60.0	70.0	≤4.4	≈360
	505	16	≤0.2	12	≤1.6	70.0	70.0	≤4.4	≈360
	670	12	≤0.2	9	≤1.6	70.0	70.0	≤4.4	≈360

No locked rotor

5840-31ZY:2450									
Rated voltage	Reduction ratio	No load		rated			Max Load		weight
		speed ±10%	current	speed ±10%	current	Torque	Torque	current	
	1: X	rpm	A	rpm	A	Kg.cm	Kg.cm	A	g
DC 24V	17	300	≤0.1	230	≤0.6	2.38	7.0	≤2.0	≈360
	31	160	≤0.1	130	≤0.6	4.34	12.6	≤2.0	≈360
	50	100	≤0.1	80	≤0.6	7	21.0	≤2.0	≈360
	100	50	≤0.1	40	≤0.6	14	42.0	≤2.0	≈360
	200	25	≤0.1	20	≤0.6	28	49.0	≤2.0	≈360
	290	17	≤0.1	14	≤0.6	42	49.0	≤2.0	≈360
	505	10	≤0.1	8	≤0.6	49	49.0	≤2.0	≈360
	670	7	≤0.1	5	≤0.6	49	49.0	≤2.0	≈360

No locked rotor



Shenzhen Jinshunlaite Motor.,Ltd.

web : www.aslongdcmotor.com/www.aslongmotor.com

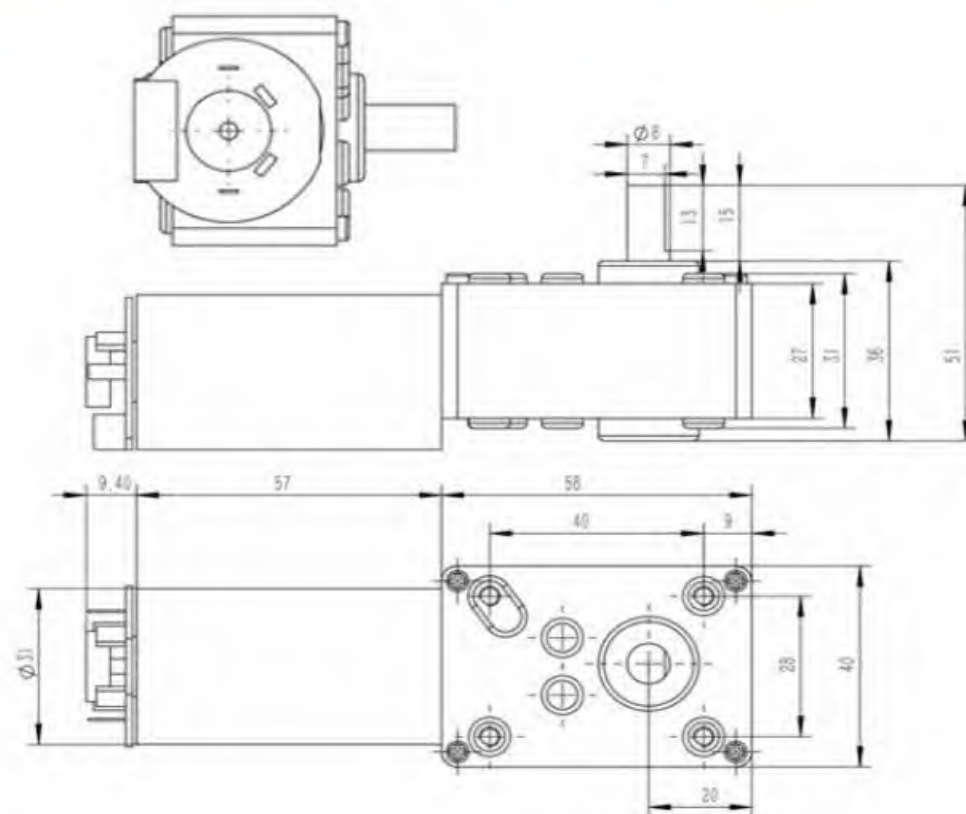
Email : sales@aslongmotor.com



Model:A5840-31ZYB

Model	Voltage	No load		Rated torque				Stall	
	V	Speed r/min	Current A	Speed mr/min	Current A	Torque Kg.cm	Power W	Current A	Torque Kg.cm
5840-31ZY-B-1280-17K	12	470	0.3	405	1	0.85	3.6	6.5	5.1
5840-31ZY-B-1280-31K	12	260	0.3	225	1	1.55	3.7	6.5	9.3
5840-31ZY-B-1280-50K	12	160	0.3	140	1	2.5	3.7	6.5	15
5840-31ZY-B-1280-100K	12	80	0.3	71	1	5	3.7	6.5	30
5840-31ZY-B-1280-200K	12	40	0.3	35	1	10	3.7	6.5	60
5840-31ZY-B-1280-290K	12	27	0.3	23	1	14.5	3.5	Ban	stall
5840-31ZY-B-1280-500K	12	16	0.3	14	1	25	3.7	Ban	stall
5840-31ZY-B-1280-670K	12	12	0.3	10	1	33.5	3.5	Ban	stall

Model	Voltage	No load		Rated torque				Stall	
	V	Speed r/min	Current A	Speed mr/min	Current A	Torque Kg.cm	Power W	Current A	Torque Kg.cm
5840-31ZY-B-2480-17K	24	470	0.2	405	0.6	1	4.3	4.4	5.1
5840-31ZY-B-2480-31K	24	260	0.2	225	0.6	1.9	4.4	4.4	9.3
5840-31ZY-B-2480-50K	24	160	0.2	140	0.6	3	4.4	4.4	15
5840-31ZY-B-2480-100K	24	80	0.2	71	0.6	6	4.5	4.4	30
5840-31ZY-B-2480-200K	24	40	0.2	35	0.6	12	4.4	4.4	60
5840-31ZY-B-2480-290K	24	27	0.2	23	0.6	17.4	4.2	Ban	stall
5840-31ZY-B-2480-500K	24	16	0.2	14	0.6	30	4.4	Ban	stall
5840-31ZY-B-2480-670K	24	12	0.2	10	0.6	40.2	4.2	Ban	stall





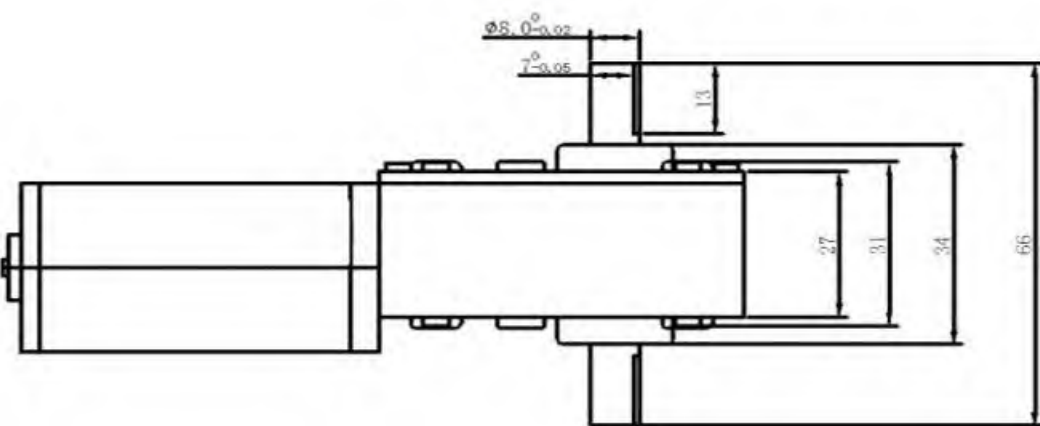
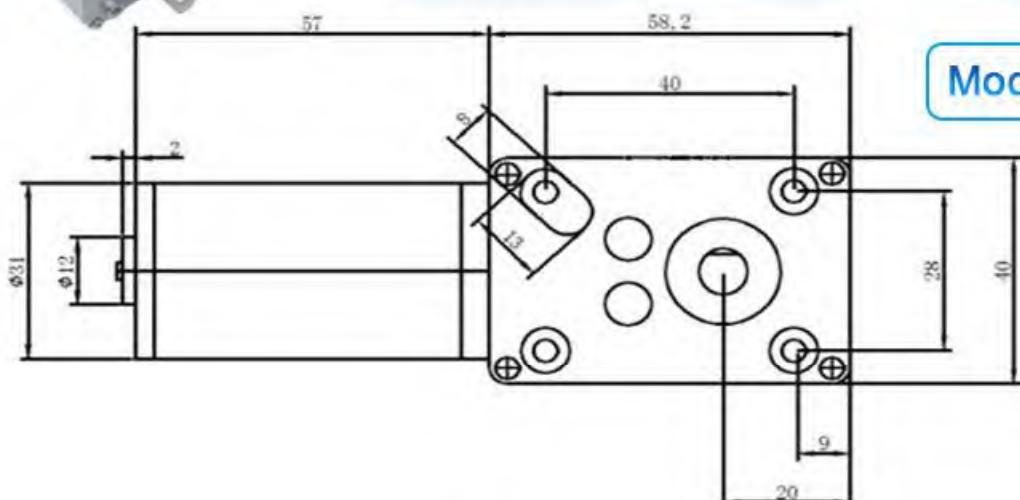
Shenzhen Jinshunlaite Motor.,Ltd.

web : www.aslongdcmotor.com/www.aslongmotor.com

Email : sales@aslongmotor.com



Model:5840-31ZYS



Type	Voltage		No Load		Rated Load			Stall		Reducer Ratio
	Workable Range	Rated Volt.V	Speed rpm	Current MA	Speed rpm	Current A	Torque Kg.cm	Torque Kg.cm	Current A	
1280	6-18V	12V	470	≤350	380	≤1.6	3.4	8.5	6.5	17
	6-18V	12V	260	≤350	200	≤1.6	6.2	16	6.5	31
	6-18V	12V	160	≤350	130	≤1.6	10	25	6.5	50
	6-18V	12V	80	≤350	60	≤1.6	20	50	6.5	100
	6-18V	12V	40	≤350	30	≤1.6	40	70	6.5	200
	6-18V	12V	27	≤350	20	≤1.6	60	70	6.5	290
	6-18V	12V	16	≤350	12	≤1.6	70	70	6.5	505
	6-18V	12V	12	≤350	9	≤1.6	70	70	6.5	670
2480	12-30V	24V	470	≤200	380	≤1.6	3.4	10	4.4	17
	12-30V	24V	260	≤200	200	≤1.6	6.2	18	4.4	31
	12-30V	24V	160	≤200	130	≤1.6	10	30	4.4	50
	12-30V	24V	80	≤200	60	≤1.6	20	60	4.4	100
	12-30V	24V	40	≤200	30	≤1.6	40	70	4.4	200
	12-30V	24V	27	≤200	20	≤1.6	60	70	4.4	290
	12-30V	24V	16	≤200	12	≤1.6	70	70	4.4	505
	12-30V	24V	12	≤200	9	≤1.6	70	70	4.4	670
2450	12-30V	24V	300	≤100	230	≤0.6	3.4	5	1.4	17
	12-30V	24V	160	≤100	130	≤0.6	6.2	9	1.4	31
	12-30V	24V	100	≤100	80	≤0.6	10	15	1.4	50
	12-30V	24V	50	≤100	40	≤0.6	20	29	1.4	100
	12-30V	24V	25	≤100	20	≤0.6	40	60	1.4	200
	12-30V	24V	17	≤100	14	≤0.6	60	70	1.4	290
	12-30V	24V	10	≤100	8	≤0.6	70	70	1.4	505
	12-30V	24V	7	≤100	5	≤0.6	70	70	1.4	670
2435	12-30V	24V	200	≤100	230	≤0.6	3.4	5	1.4	17
	12-30V	24V	110	≤100	130	≤0.6	6.2	9	1.4	31
	12-30V	24V	70	≤100	80	≤0.6	10	15	1.4	50
	12-30V	24V	35	≤100	40	≤0.6	20	29	1.4	100
	12-30V	24V	17	≤100	20	≤0.6	40	60	1.4	200
	12-30V	24V	12	≤100	14	≤0.6	60	70	1.4	290
	12-30V	24V	7	≤100	8	≤0.6	70	70	1.4	505
	12-30V	24V	5	≤100	5	≤0.6	70	70	1.4	670



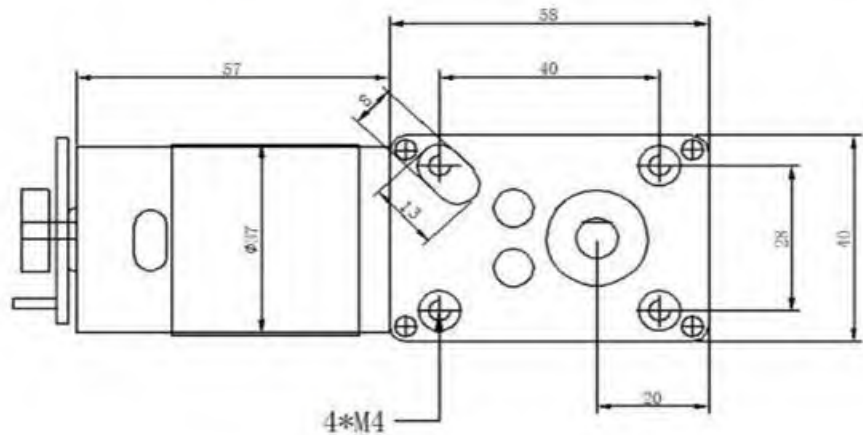
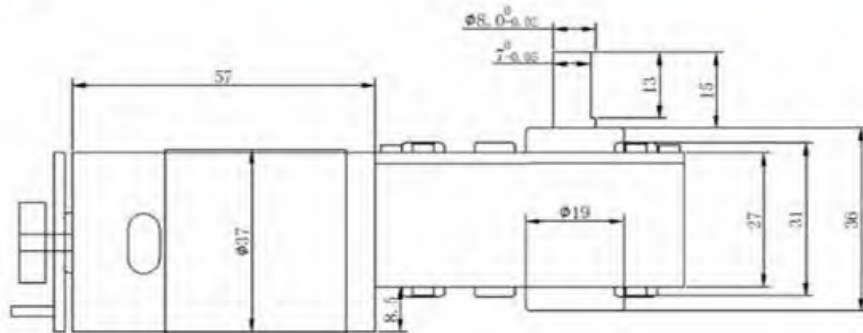
Shenzhen Jinshunlaite Motor.,Ltd.

web : www.aslongdcmotor.com/www.aslongmotor.com

Email : sales@aslongmotor.com



Model:5840-555B



Motor Type: DC Turbine Worm Motor 5840-555

No-load current 0.5A Load current 1.2A Stall current 4.7A

Reduction ratio	17	31	50	100	200	290	500
No-load speed (RPM)	470	260	160	80	40	27	12
Rated torque (Kg.cm)	2.5	4.5	7.3	14.5	29.0	42.0	60.0
Rated speed (RPM)	380	200	130	60	30	20	12
Maximum torque (Kg.cm)	4.3	8	12.5	25.0	51.0	70.0	70.0

No-load current 0.25A Load current 1.5A Stall current 5.2A

Reduction ratio	17	31	50	100	200	290	500
No-load speed (RPM)	470	260	160	80	40	27	16
Rated torque (Kg.cm)	8.0	9.5	15.0	30.0	40.0	50.0	60.0
Rated speed (RPM)	380	200	130	60	30	20	12
Maximum torque (Kg.cm)	17.0	31	50.0	50.0	70.0	70.0	70.0



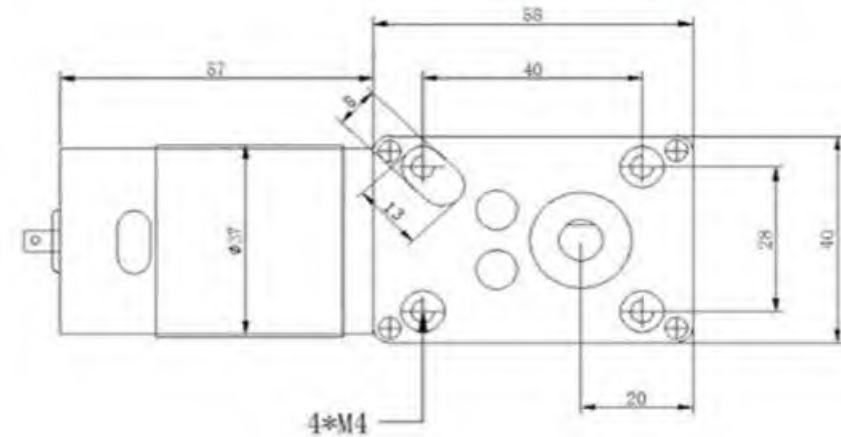
Shenzhen Jinshunlaite Motor.,Ltd.

web : www.aslongdcmotor.com/www.aslongmotor.com

Email : sales@aslongmotor.com



Model:5840-555S



Reduction ratio (коэффициент уменьшения)	Rated voltage (Номинальное напряжение)	No load		Load (Рабочая нагрузка)			Stall (Maximum)	
		Speed	Current	Speed	Current	Rated torque (крутящий момент)	Torque (крутящий момент)	Current
(1 : 00)	(V)	r/min (±10%)	(A)	r/min (±10%)	(A)	(kg.cm)	(kg.cm)	(A)
500	12	12	0.5	12	1.2	60	70	4.7
290	12	27	0.5	20	1.2	42	70	4.7
200	12	40	0.5	30	1.2	29	51	4.7
100	12	80	0.5	60	1.2	14.5	25	4.7
50	12	160	0.5	130	1.2	7.3	12.5	4.7
31	12	260	0.5	200	1.2	4.5	8	4.7
17	12	470	0.5	380	1.2	2.5	4.3	4.7
500	24	16	0.25	12	1.5	60	70	5.2
290	24	27	0.25	20	1.5	50	70	5.2
200	24	40	0.25	30	1.5	40	70	5.2
100	24	80	0.25	60	1.5	30	50	5.2
50	24	160	0.25	130	1.5	15	50	5.2
31	24	260	0.25	200	1.5	9.5	31	5.2
17	24	470	0.25	380	1.5	8	17	5.2



Shenzhen Jinshunlaite Motor.,Ltd.

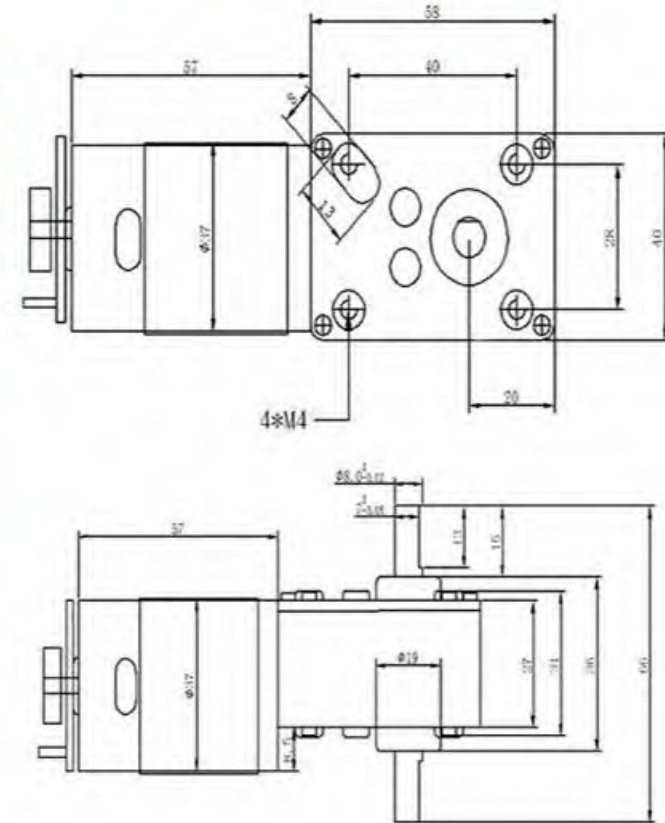
web : www.aslongdcmotor.com/www.aslongmotor.com

Email : sales@aslongmotor.com



Model:5840-555SB

Rated DC12V parameter table							
Reduction ratio	17	31	50	100	200	290	500
No load speed rpm	470	260	160	80	40	27	12
Rated torque kg.cm	2.5	4.5	7.3	14.5	29	42	60
Rated speed rpm	380	200	130	60	30	20	12
Max torque kg.cm	4.3	8	12.5	25	51	70	70
Rated DC24V parameter table							
Reduction ratio	17	31	50	100	200	290	500
No load speed rpm	470	260	160	80	40	27	12
Rated torque kg.cm	8	9.5	15	30	40	50	60
Rated speed rpm	380	200	130	60	30	20	12
Max torque kg.cm	17	31	50	50	70	70	70



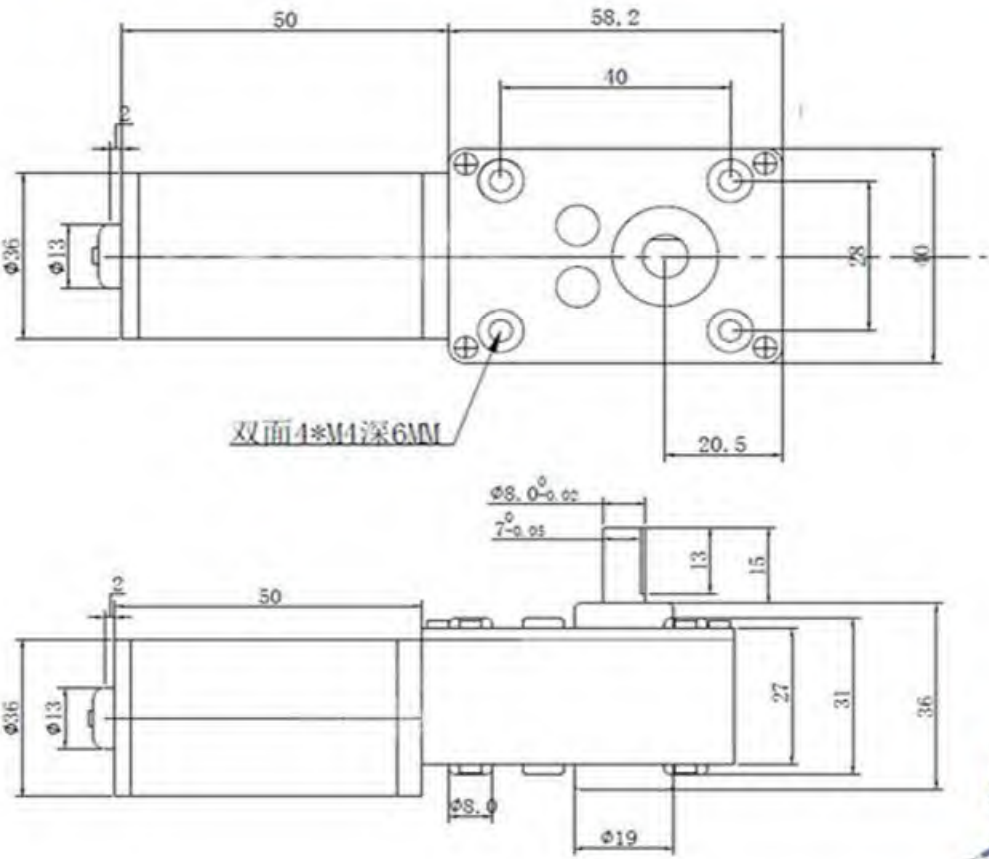
230MM
The length of the line



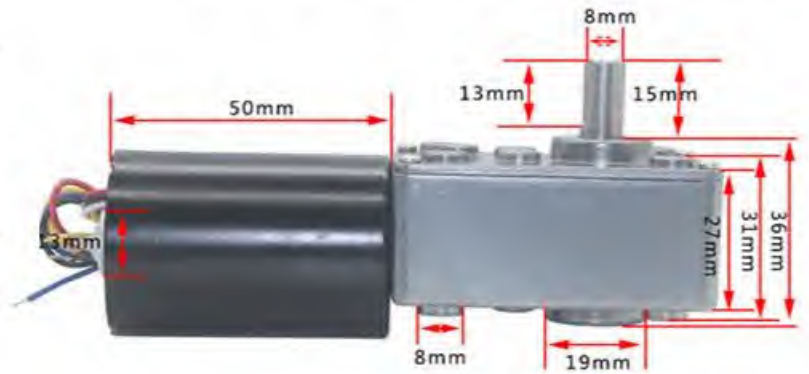
Shenzhen Jinshunlaite Motor.,Ltd.
 web : www.aslongdcmotor.com/www.aslongmotor.com
 Email : sales@aslongmotor.com



Model:5840-3650



Reduction ratio	Rated Volt V	No Load		AT Load			STALL	
		SPEED RPM	CURRENT mA	Torque KG.cm	SPEED RPM	Current A	TOGQCE KG.CM	CURRENT A
17	12	235	230	2.5	180	0.8	4.3	3
31	12	130	230	4.5	100	0.8	8	3
50	12	80	230	7.3	60	0.8	12.5	3
100	12	40	230	14.5	30	0.8	25	3
200	12	20	230	29	15	0.8	51	3
290	12	14	230	42	10	0.8	70	3
500	12	8	230	60	6	0.8	70	3
17	24	470	300	5	380	1.6	8.5	3
31	24	260	300	9.5	200	1.6	15.5	3
50	24	160	300	15	130	1.6	25	3
100	24	80	300	30	60	1.6	50	3
200	24	40	300	40	30	1.6	70	3
290	24	27	300	50	20	1.6	70	3
500	24	16	300	60	12	1.6	70	3

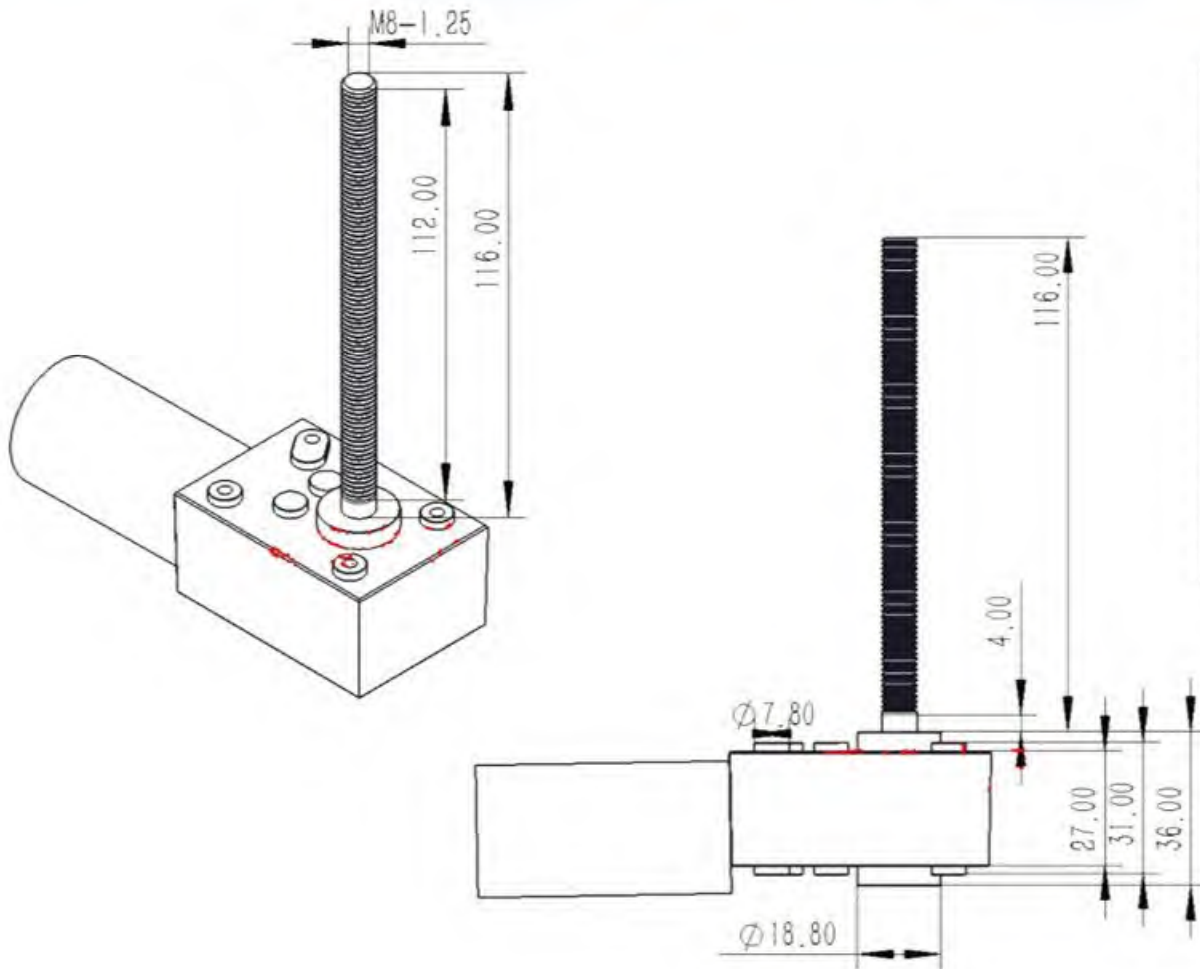


Shenzhen Jinshunlaite Motor.,Ltd.
 web : www.aslongdcmotor.com/www.aslongmotor.com

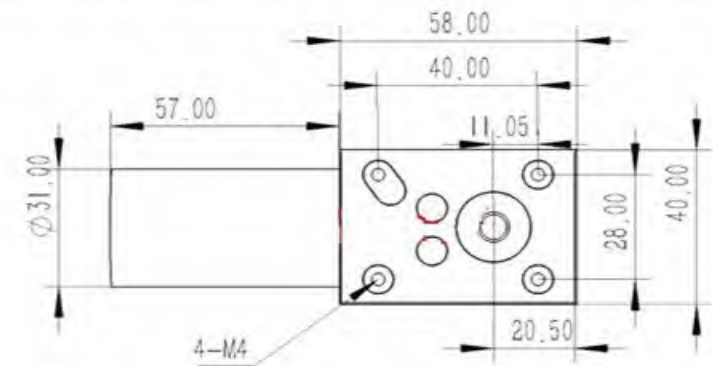
Email : sales@aslongmotor.com

ASLONG®

Model:5840-3650-116



Reduction ratio (коэффициент уменьшения)	Rated voltage (Номинальное напряжение)	No load		Load (Рабочая нагрузка)				Stall (Maximum)
		Speed r/min (±10%)	Current (mA)	Speed r/min (±10%)	Current (A)	Rated torque (крутящий момент) (kg cm)	Power (Мощность) (W)	Torque (крутящий момент) (kg cm)
(1 :00)	(V)	r/min (±10%)	(mA)	r/min (±10%)	(A)	(kg cm)	(W)	(kg cm)
500	12	8	≤230	6	≤0.8	60	15	70
290	12	14	≤230	10	≤0.8	42	15	70
200	12	20	≤230	15	≤0.8	29	15	51
100	12	40	≤230	30	≤0.8	14.5	15	25
50	12	80	≤230	60	≤0.8	7.3	15	12.5
31	12	130	≤230	100	≤0.8	4.5	15	8
17	12	235	≤230	180	≤0.8	2.5	15	4.3
500	24	16	≤300	12	≤1.6	60	30	70
290	24	27	≤300	20	≤1.6	50	30	70
200	24	40	≤300	30	≤1.6	40	30	70
100	24	80	≤300	60	≤1.6	30	30	50
50	24	160	≤300	130	≤1.6	15	30	25
31	24	260	≤300	200	≤1.6	9.5	30	15.5
17	24	470	≤300	380	≤1.6	5	30	8.5





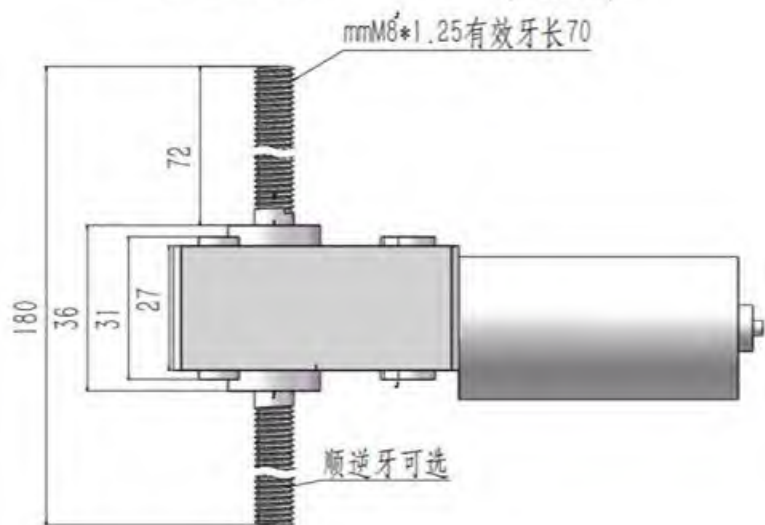
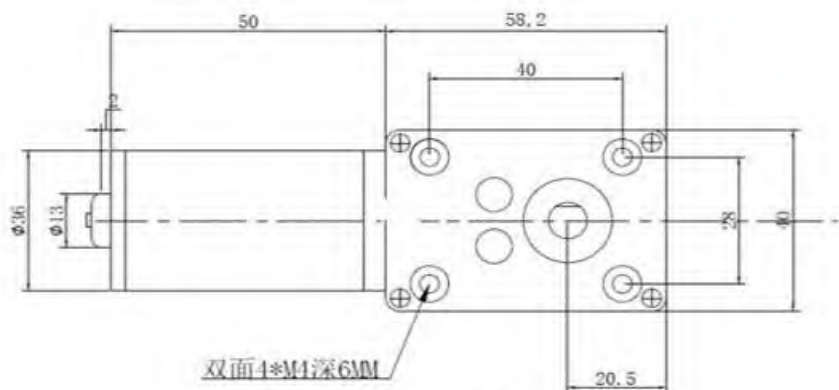
Shenzhen Jinshunlaite Motor., Ltd.

web: www.aslongdcmotor.com/www.aslongmotor.com

Email: sales@aslongmotor.com



Model: 5840-3650-180



Reduction ratio (коэффициент уменьшения)	Rated voltage (Номинальное напряжение)	No load		Load (Рабочая нагрузка)				Stall (Maximum)
		Speed	Current	Speed	Current	Rated torque (крутящий момент)	Power (Мощность)	Torque (крутящий момент)
(1:00)	(V)	r/min (±10%)	(mA)	r/min (±10%)	(A)	(kg.cm)	(W)	(kg.cm)
500	12	8	≤230	6	≤0.8	60	15	70
290	12	14	≤230	10	≤0.8	42	15	70
200	12	20	≤230	15	≤0.8	29	15	51
100	12	40	≤230	30	≤0.8	14.5	15	25
50	12	80	≤230	60	≤0.8	7.3	15	12.5
31	12	130	≤230	100	≤0.8	4.5	15	8
17	12	235	≤230	180	≤0.8	2.5	15	4.3
500	24	16	≤300	12	≤1.6	60	30	70
290	24	27	≤300	20	≤1.6	50	30	70
200	24	40	≤300	30	≤1.6	40	30	70
100	24	80	≤300	60	≤1.6	30	30	50
50	24	160	≤300	130	≤1.6	15	30	25
31	24	260	≤300	200	≤1.6	9.5	30	15.5
17	24	470	≤300	380	≤1.6	5	30	8.5



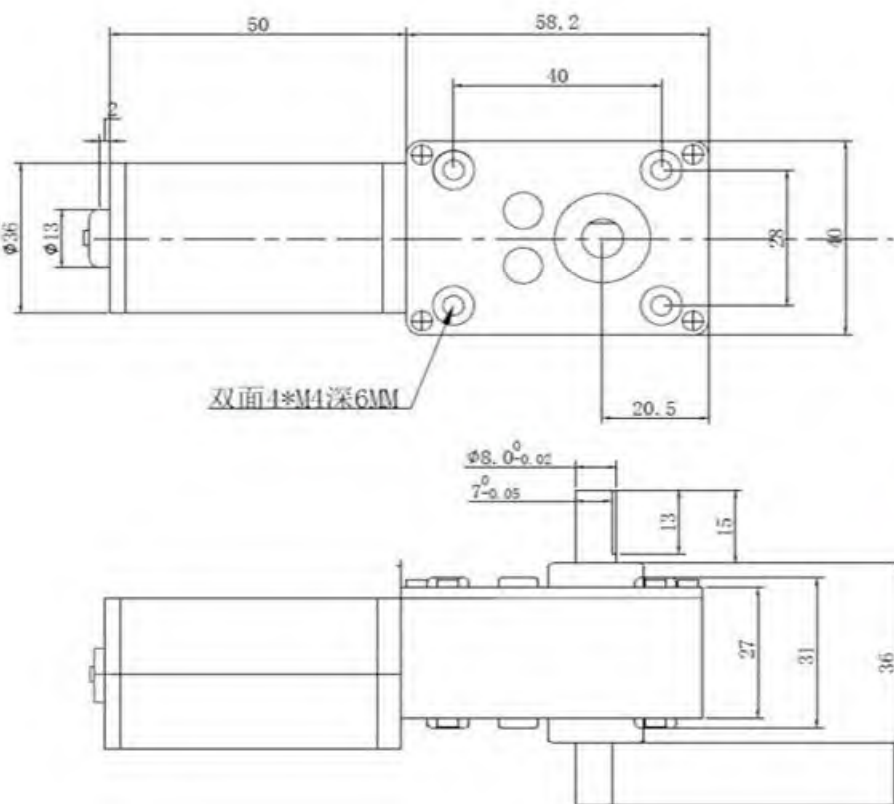
Shenzhen Jinshunlaite Motor.,Ltd.

web : www.aslongdcmotor.com/www.aslongmotor.com

Email : sales@aslongmotor.com

ASLONG®

Model:5840-3650-CDtype



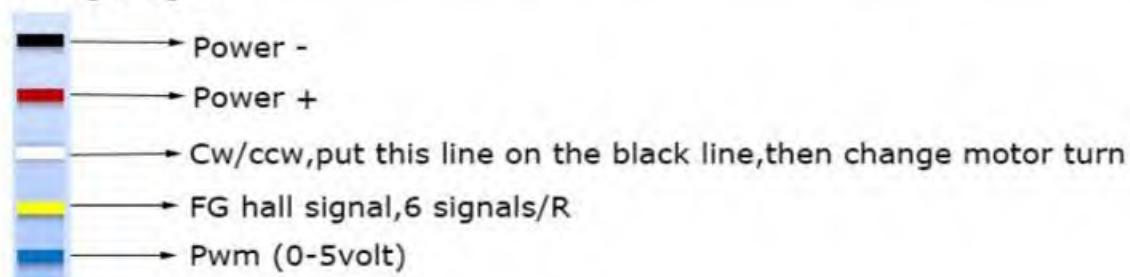
Rated voltage DC12V1240 test parameter table

Reduction ratio	17	31	50	100	200	290	500
No load RPM	235	130	80	40	20	14	8
Rated torque KG. CM	2.5	4.5	7.3	14.5	29	42	60
Rated speed RPM	180	100	60	30	15	10	6
Max torque KG. CM	4.3	8	12.5	25	51	70	70

Rated voltage DC24V2480 test parameter table

Reduction ratio	17	31	50	100	200	290	500
No load RPM	470	260	160	80	40	27	16
Rated torque KG. CM	5	9.5	15	30	40	50	60
Rated speed RPM	380	200	130	60	30	20	12
Max torque KG. CM	8.5	15.5	25	50	70	70	70

Wiring Diagram:



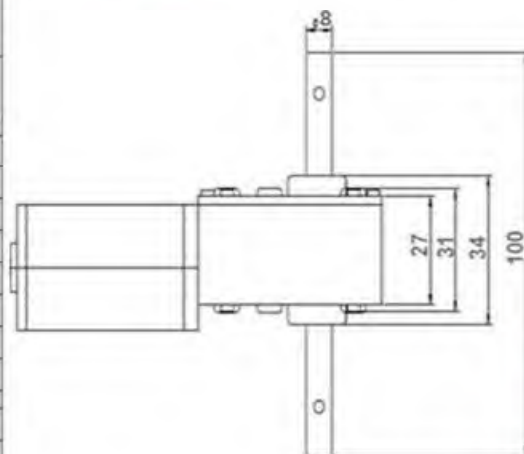
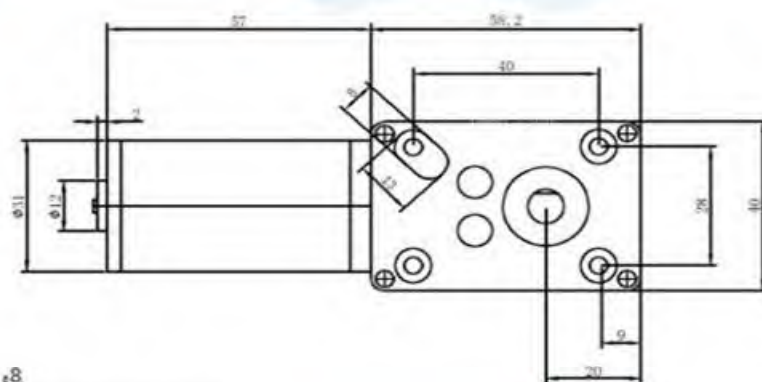
Shenzhen Jinshunlaite Motor.,Ltd.

web : www.aslongdcmotor.com/www.aslongmotor.com

Email : sales@aslongmotor.com



Model:5840-3650-SC



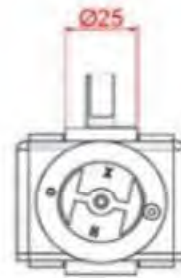
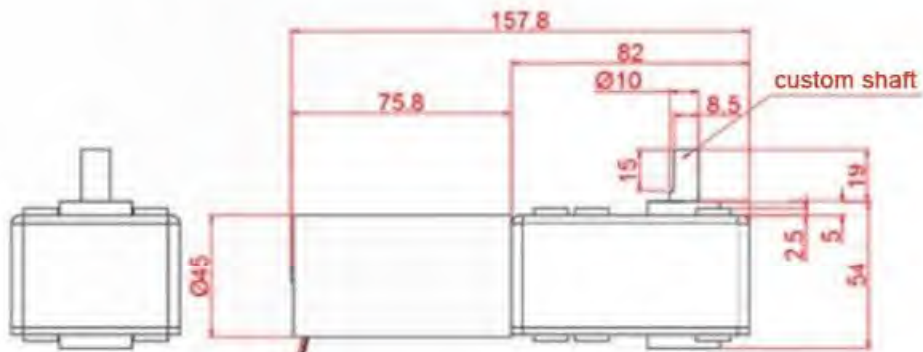
Reduction ratio (коэффициент уменьшения)	Rated voltage (Номинальное напряжение)	No load		Load (Рабочая нагрузка)				Stall (Maximum)
		Speed	Current	Speed	Current	Rated torque (крутящий момент)	Power (Мощность)	Torque (крутящий момент)
(1 : 00)	(V)	r/min (±10%)	(mA)	r/min (±10%)	(A)	(kg.cm)	(W)	(kg.cm)
500	12	8	≤230	6	≤0.8	60	15	70
290	12	14	≤230	10	≤0.8	42	15	70
200	12	20	≤230	15	≤0.8	29	15	51
100	12	40	≤230	30	≤0.8	14.5	15	25
50	12	80	≤230	60	≤0.8	7.3	15	12.5
31	12	130	≤230	100	≤0.8	4.5	15	8
17	12	235	≤230	180	≤0.8	2.5	15	4.3
500	24	16	≤300	12	≤1.6	60	30	70
290	24	27	≤300	20	≤1.6	50	30	70
200	24	40	≤300	30	≤1.6	40	30	70
100	24	80	≤300	60	≤1.6	30	30	50
50	24	160	≤300	130	≤1.6	15	30	25
31	24	260	≤300	200	≤1.6	9.5	30	15.5
17	24	470	≤300	380	≤1.6	5	30	8.5



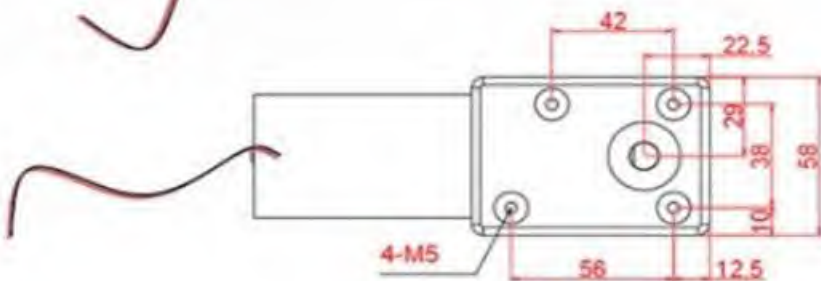
Shenzhen Jinshunlaite Motor.,Ltd.

web : www.aslongdcmotor.com/www.aslongmotor.com

Email : sales@aslongmotor.com



Model:A5882-45



Voltage	No load		Load				Stall		Ratio	Weight
	Speed	Current	Speed	Current	Torque	Output	Torque	Current		
V	rpm	mA	rpm	mA	kg.cm	w	kg.cm	A	1:00	G
24	11	170	8.8	2500	120	5.2	prohibit	12	545	1000
24	24	300	19	2400	100	18	280	12	250	1000
24	36	300	30	2400	85	22	200	12	176	1000
24	120	270	96	2400	32	24.25	120	12	50	1000
24	195	270	156	2500	20	24	75	12	30	1000

Shenzhen Jinshunlaite Motor.,Ltd.

web : www.aslongdcmotor.com/www.aslongmotor.com

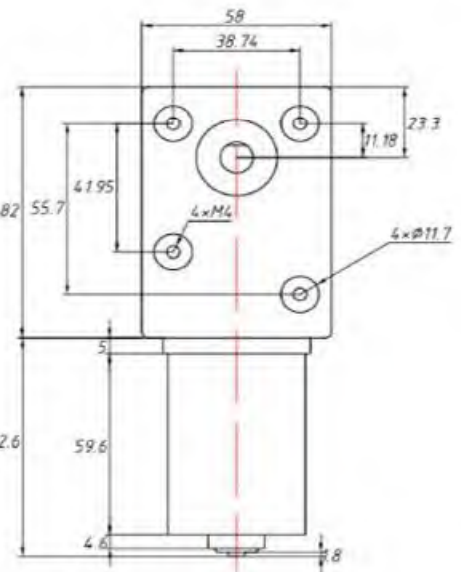
✧ Email : sales@aslongmotor.com

ASLONG®



Model:A5882-4260

Workable				Parameter table							
Workable		No Load		Load Torque				Stall		Reducer	
Workable	Rated	Speed	Current	Speed	Current	Torque	Output	Torque	Current	Ratio	(L)Size
Rangge	Volt.V	rpm	ma	rpm	ma	kg.cm	W	kg.cm	A	Ratio	mm
6-24V	24V	44	300	35	1240	50	20	100	5	176	82
6-24V	24V	30	300	24	1240	70	20	150	5	250	82





Metal material
All metal materials are used
Make it more durable
No rust to extend the service life



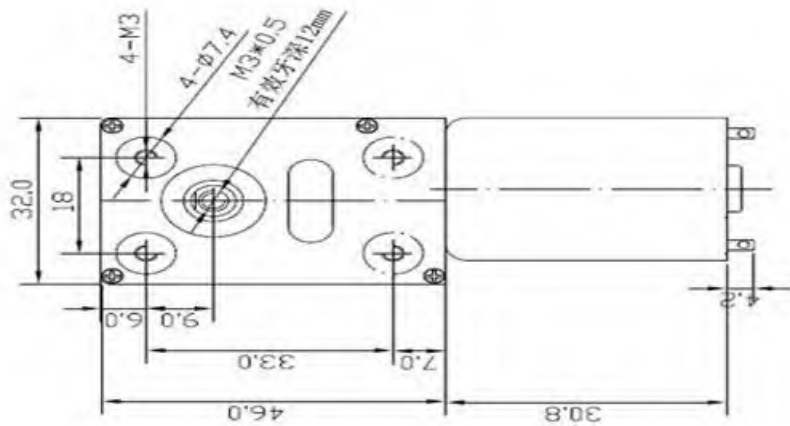
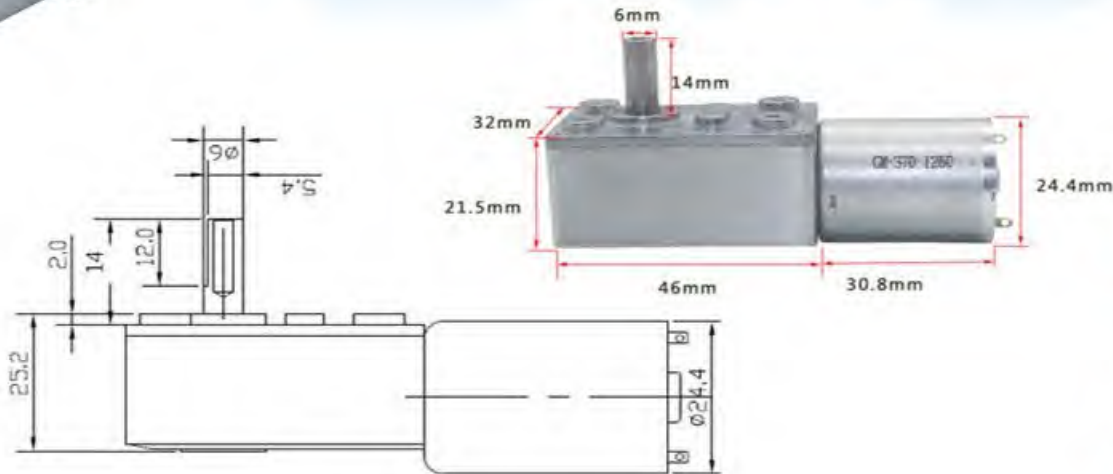
High quality gear
Gears are ground and then heat treated
It has good wear resistance
Advantages of long life and low noise



Shenzhen Jinshunlaite Motor.,Ltd.

web : www.aslongdcmotor.com/www.aslongmotor.com

Email : sales@aslongmotor.com



Model:JGY370

Model:DC worm gear motor JGY-370

Rated DC6V testing parameter table

Reduction ratio	40	65	90	150	200	260	340	600	1000
No load current MA	≤100	≤100	≤100	≤100	≤100	≤100	≤100	≤100	≤100
No load speed rpm	150	90	66	40	30	23	18	10	6
Rated torque kg cm	0.2	0.5	0.7	2	5.3	6.7	9.0	15.9	26.5
Rated speed rpm	120	70	51	30	22	18	13	7.5	4
Rated current A	≤0.6	≤0.6	≤0.6	≤0.6	≤0.6	≤0.6	≤0.6	≤0.6	≤0.6
Max torque kg cm	0.9	1.6	2	7.5	10	13	18	30	45
Stop current A	3.3	3.3	3.3	3.3	3.3	3.3	3.3	3.3	3.3

Rated DC12V testing parameter table

Reduction ratio	40	65	90	150	200	260	340	600	1000
No load current MA	≤60	≤60	≤100	≤60	≤60	≤60	≤60	≤60	≤60
No load speed rpm	150	90	66	40	30	23	18	10	6
Rated torque kg cm	0.2	0.5	0.7	2	5.3	6.7	9.0	15.9	26.5
Rated speed rpm	120	70	51	30	22	18	15	7.5	4
Rated current A	≤0.6	≤0.6	≤0.6	≤0.6	≤0.6	≤0.6	≤0.6	≤0.6	≤0.6
Max torque kg cm	0.9	1.6	2	7.5	10	13	18	30	45
Stop current A	1.7	1.7	3.3	1.7	1.7	1.7	1.7	1.7	1.7

Rated DC24V testing parameter table

Reduction ratio	40	65	90	150	200	260	340	600	1000
No load current MA	≤40	≤40	≤100	≤40	≤40	≤40	≤40	≤40	≤40
No load speed rpm	150	90	66	40	30	23	18	10	6
Rated torque kg cm	0.2	0.5	0.7	2	5.3	6.7	9.0	15.9	26.5
Rated speed rpm	120	70	51	30	22	18	15	7.5	4
Rated current A	≤0.3	≤0.3	≤0.3	≤0.3	≤0.3	≤0.3	≤0.3	≤0.3	≤0.3
Max torque kg cm	0.9	1.6	2	7.5	10	13	18	30	45
Stop current A	0.85	0.85	3.3	0.85	0.85	0.85	0.85	0.85	0.85

Shenzhen Jinshunlaite Motor.,Ltd.

web: www.aslongdcmotor.com/www.aslongmotor.com

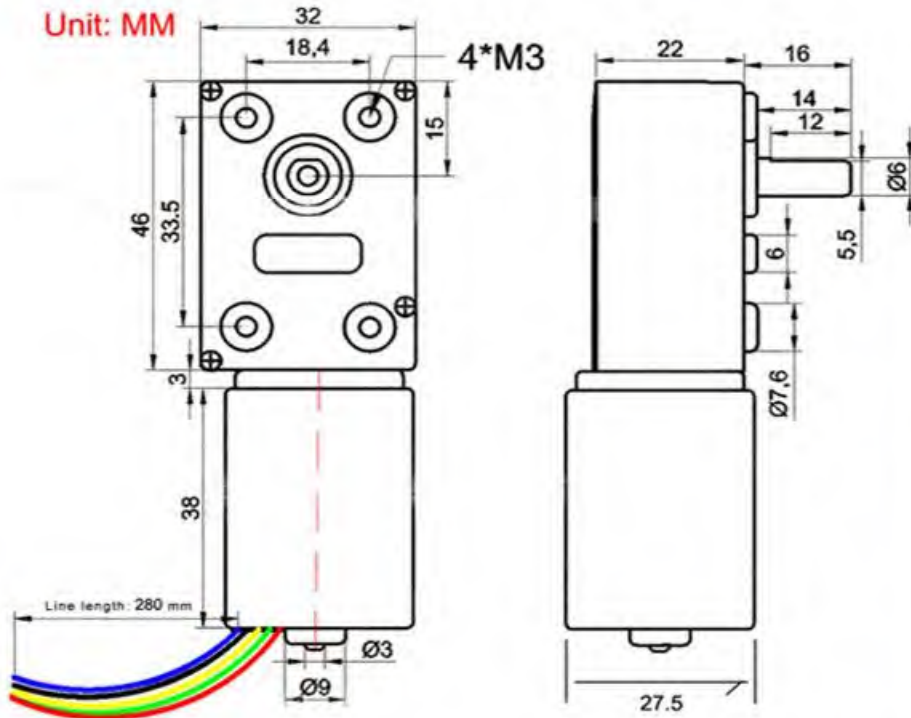
✦ Email: sales@aslongmotor.com



Model: JGY2838



Unit: MM



Voltage		Noload		At Max.Efficiency				Stall		Speedreducer	
Using	The	Speed	Current	Speed	Current	Torqu	Powe	Torqu	Curre	Redctio	(L)Siz
Rangq	Rated	r/min	ma	r/min	ma	kg.cm	W	kg.cm	ma	Ratio	mm
12-24V	12V	160	80	120	350	1.8	6	8.4	900	37.3	46
12-24V	12V	40	80	30	300	7.5	6	30	900	150	46
12-24V	12V	24	80	19	300	11	6	40	900	250	46
12-24V	12V	18	80	13.5	200	15	6	55	900	324	46
12-24V	12V	10	80	8	280	25	6	60	900	600	46
12-24V	12V	6	80	5	280	34	6	prohibit	900	972	46
12-24V	12V	3.5	80	2	280	55	6	prohibit	900	1700	46
12-24V	12V	2	80	1.5	280	60	6	prohibit	900	2900	46

Shenzhen Jinshunlaite Motor.,Ltd.

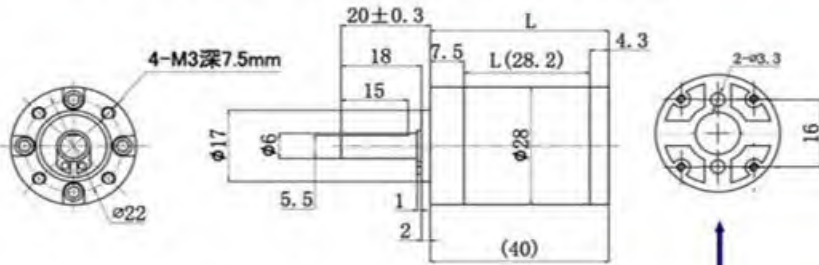
web : www.aslongdcmotor.com/www.aslongmotor.com

Email : sales@aslongmotor.com

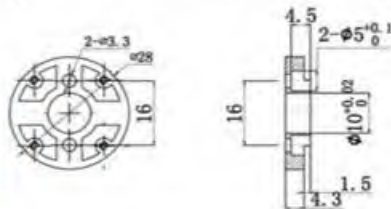
ASLONG®



28mm Planetary gear box (unit:mm)



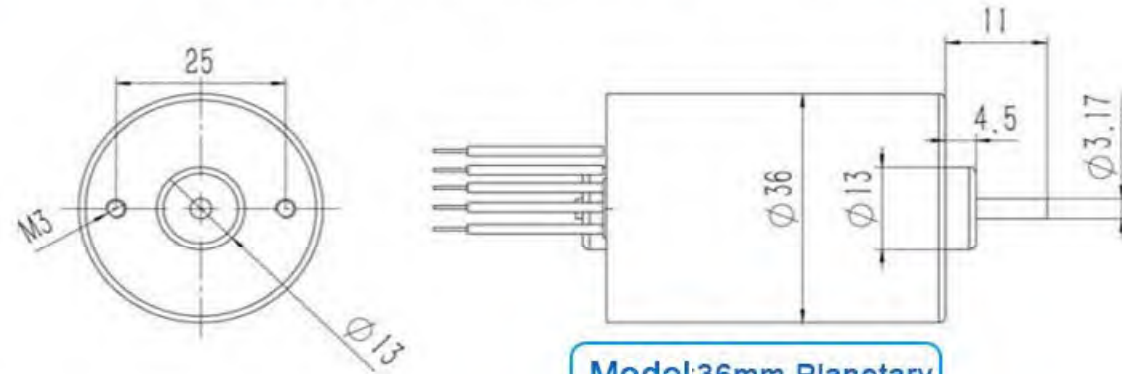
Planetary reducer baseplate size



Model:28mm Planetary

28mm Planetary gearbox parameter						
Reducer	Length (L/mm)	Ratio (i:1)				
No.1 Class	22.9	4:1	5:1			
No.2 Class	28.7	16:1	20:1	25:1		
No.3 Class	34.4	64:1	80:1	100:1	125:1	
No.4 Class	40.0	256:1	320:1	400:1	500:1	625:1

Planetary gearbox installation requirements



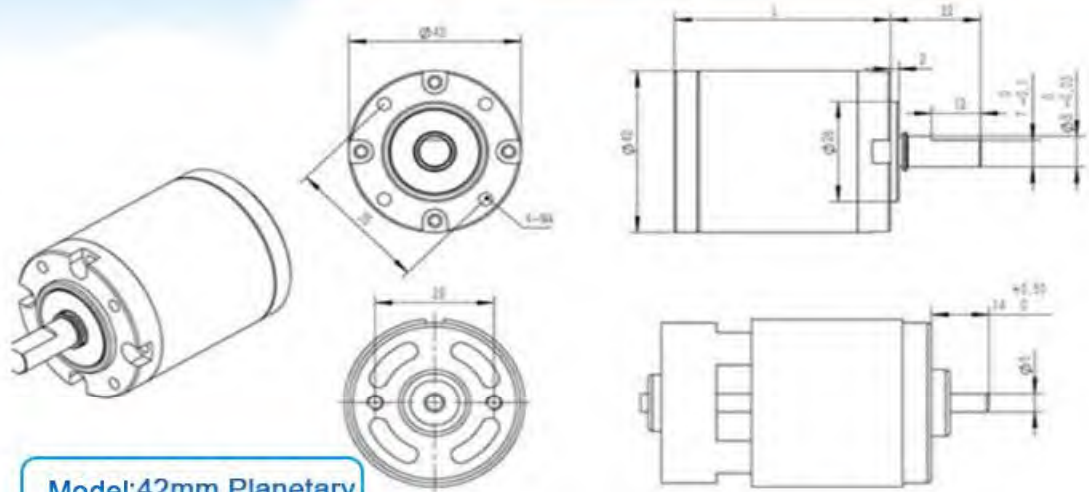
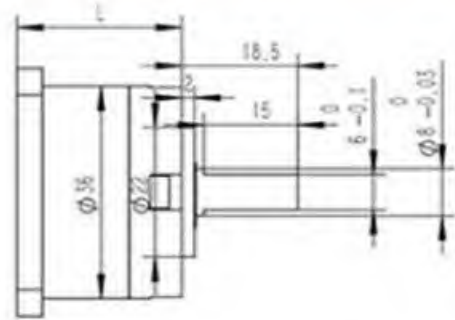
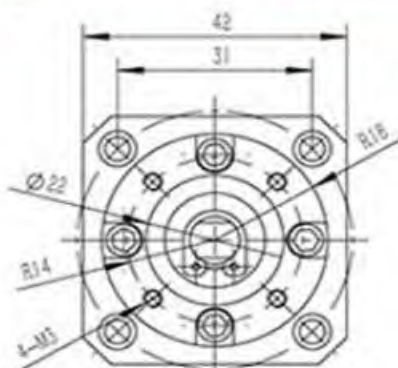
Model:36mm Planetary

36#Planetary gearbox parameters						
Gearbox stages	Length (L/mm)	Reduction ratio (i)				
First deceleration	26.60	3.7:1	5.18:1			
Two-stage deceleration	32.60	14:1	29:1	27:1		
Three-stage deceleration	38.70	50:1	71:1	100:1	139:1	
Four-stage deceleration	44.80	189:1	263:1	369:1	516:1	721:1

Shenzhen Jinshunlaite Motor.,Ltd.

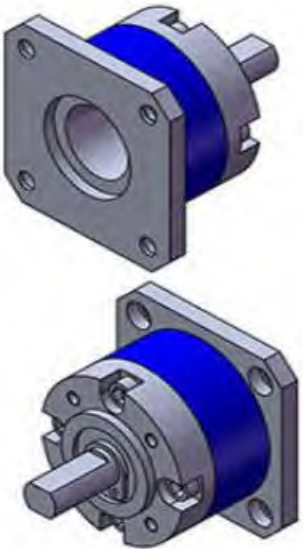
web : www.aslongdcmotor.com/www.aslongmotor.com

Email : sales@aslongmotor.com



Model:42step gearbox

Model:42mm Planetary



Number of stages	L size	Reduction ratio
level 1	26.5	3.7
level 2	32.5	13.7
		19.2
level 3	38.5	51
		71
		99.5
level 4	44.5	188.6
		263.7
		368.7
		515.6

grade	Length (mm)	Reduction ratio	Number of teeth of inner ring gear	Motor tooth inner hole 5.0
Level 1	31.5	3.7	46	17
Level 2	42	13.7	46	17
		19.2	46	17
Level 3	45	51	46	17
		71	46	17
		99.5	46	17
Level 4	63.5	188.6	46	17
		263.7	46	17
		368.7	46	17
		515.6	46	17

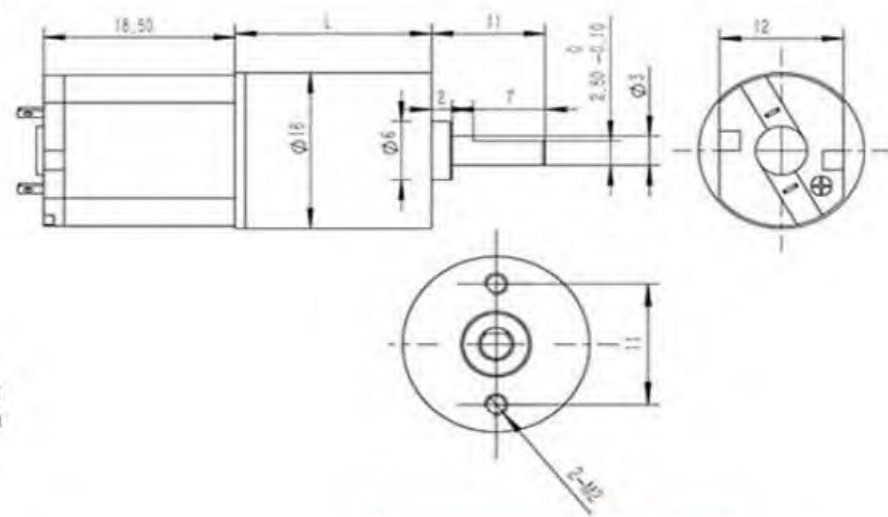
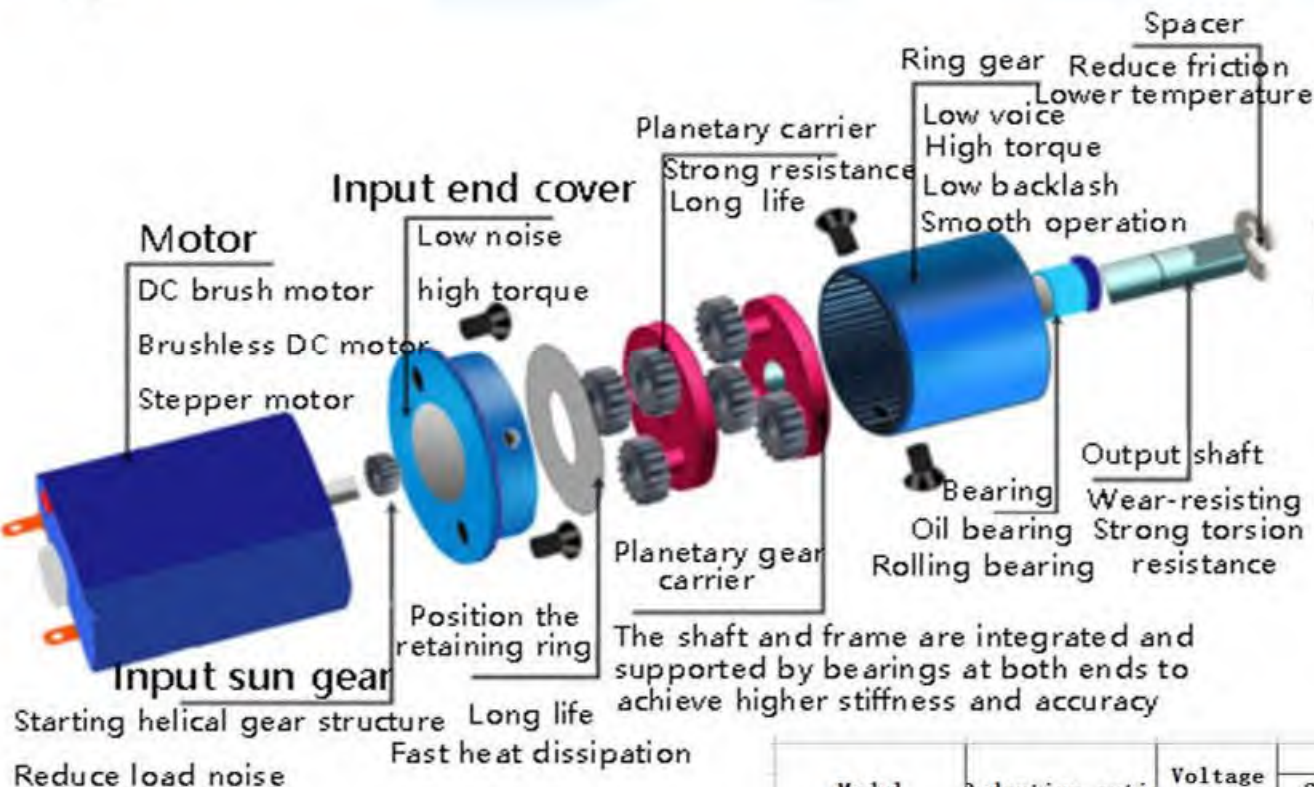




Shenzhen Jinshunlaite Motor.,Ltd.

web: www.aslongdcmotor.com/www.aslongmotor.com

Email: sales@aslongmotor.com



Model: PG16-030

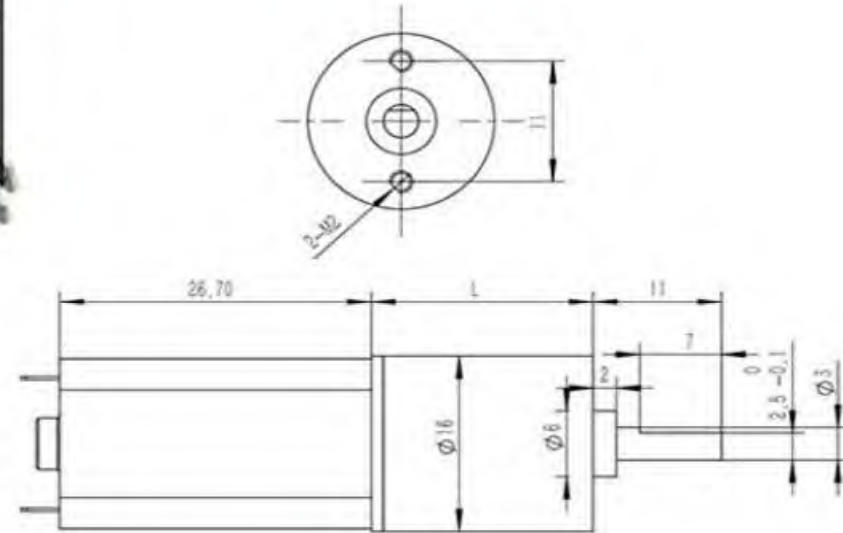
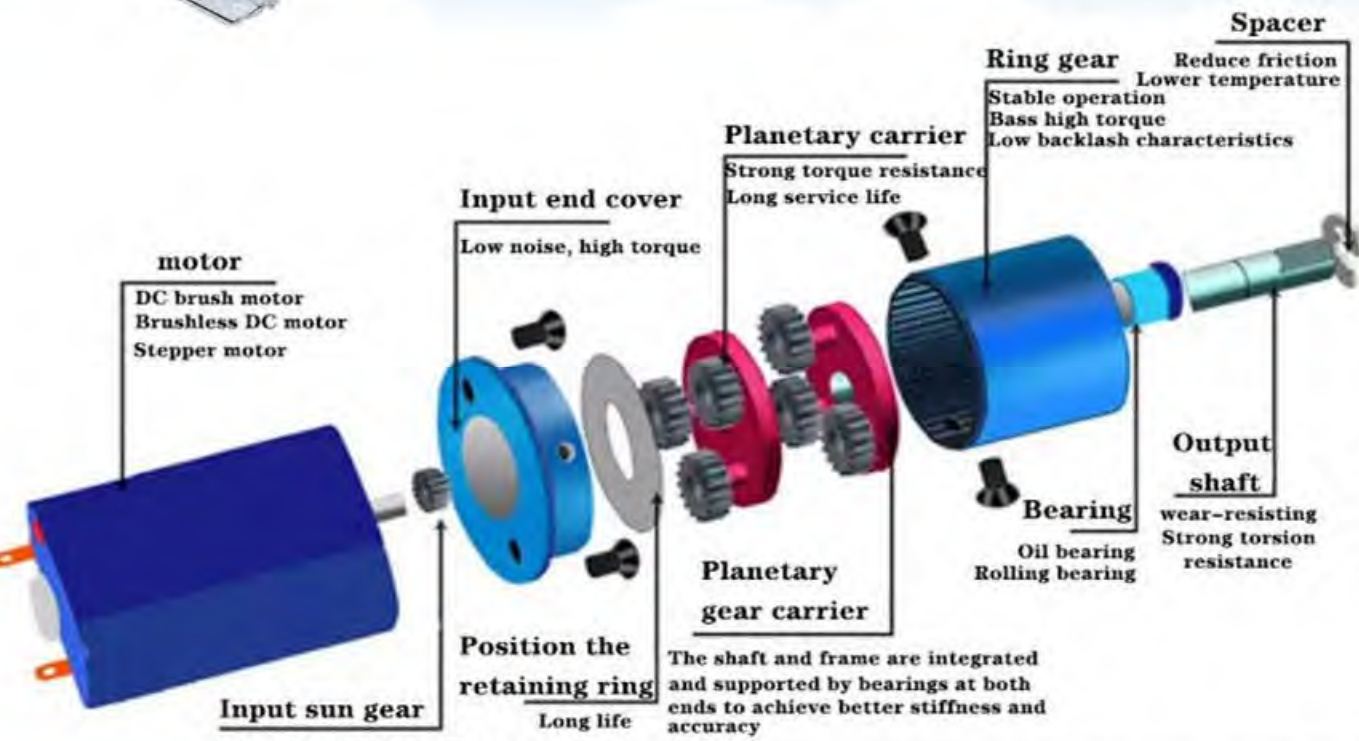
Model	Reduction ratio	Voltage V	No load		Load				Stall		Size MM
			Speed R/Min	Current MA	Speed R/Min	Current MA	Torque G. cm	Power W	Torque G. cm	Current MA	
CM16-030-12120	1:4	12	3000	50	2300	130	14	0.33	80	285	12.5
	1:22.5	12	533	50	410	130	78	0.33	337	285	16
	1:64	12	187	50	143	130	250	0.28	960	285	19.5
	1:256	12	46	50	35	130	896	0.32	3840	285	23



Shenzhen Jinshunlaite Motor.,Ltd.

web : www.aslongdcmotor.com/www.aslongmotor.com

Email : sales@aslongmotor.com



Model:PG16-050

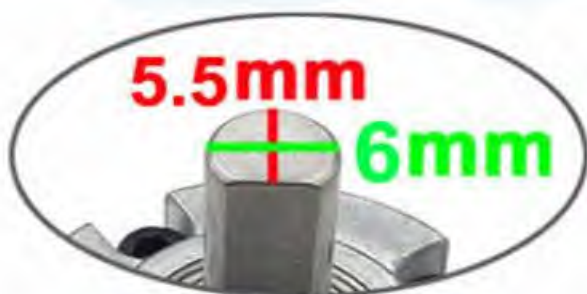
Model	Reduction ratio	Voltage V	No load		Specified load				Power stall		Length mm
			Speed rpm	Current mA	Speed rpm	Current mA	Torque g. cm	Power W	Current mA	Torque g. cm	
CM16-050-12120	1:4	12	3000	55	2300	200	20	0.45	650	120	12.5
	1:22.5	12	533	55	410	200	110	0.47	650	600	16
	1:64	12	187	55	143	200	320	0.47	650	1800	19.5
	1:256	12	46	55	35	200	1280	0.47	650	7500	23



Shenzhen Jinshunlaite Motor.,Ltd.

web : www.aslongdcmotor.com/www.aslongmotor.com

Email : sales@aslongmotor.com



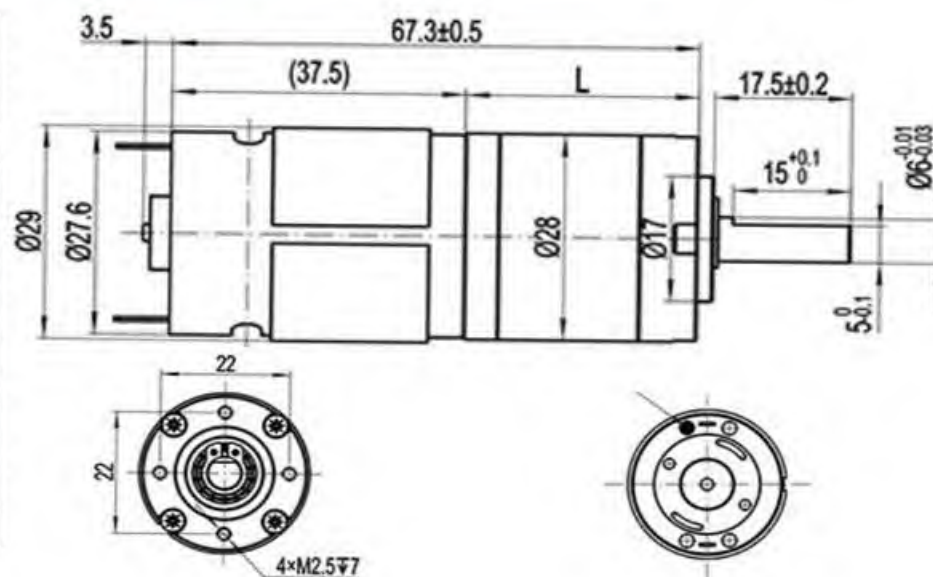
Model:PG28-385



Model	Voltage V	No load		Rated load				Stall	
		Speed r/min	Current A	Speed r/min	Current A	Torque g.cm	Power W	Current A	Torque g.cm
XH-385-2480-11	24	8000	0.1	5850	0.5	180	11	1.72	240

CM28-385-2480planetary gear motor parameters

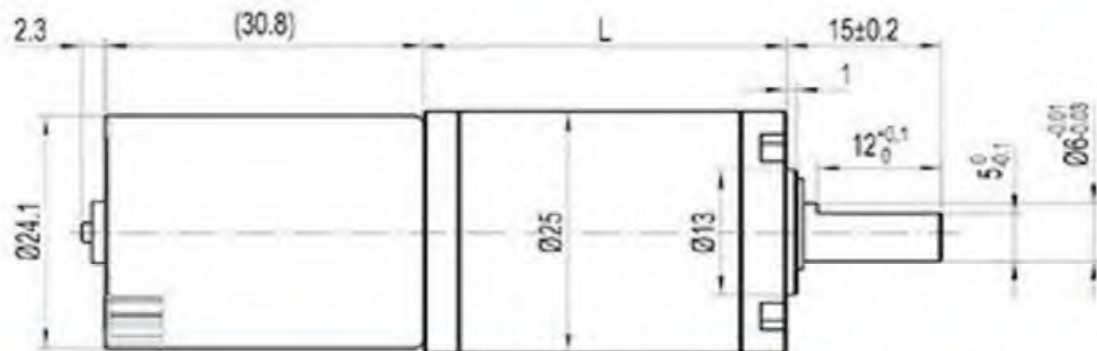
Reduction ratio	3.353	4.636	11.243	15.544	21.492	37.696	52.12	72.064	99.639	126.396	174.76	241.632	334.09	461.927
No load r/min	2386	1726	712	515	372	212	153	111	80	63	46	33	24	17
No load A	0.1	0.1	0.1	0.1	0.1	0.1	0.1	0.1	0.1	0.1	0.1	0.1	0.1	0.1
Rated EG, CM	0.37	0.43	0.74	1.79	2	2.26	3.39	4.06	4.73	5	15.63	17.84	26.3	28.4
Load r/min	1324	1243	562	322	260	174	112	90	71	53	35	27.3	19	15
Load A	0.764	0.623	0.462	0.615	0.55	0.407	0.534	0.44	0.359	0.345	0.634	0.515	0.611	0.42
Power W	5.13	5.59	4.35	6.03	5.44	4.1	3.94	3.82	3.51	2.78	5.71	5.1	5.18	4.46
Stall EG, CM	0.86	1.35	3	4.32	6.5	11	12.2	17	22.8	29.6	37.2	54.2	70	90
A	1.464	1.72	1.54	1.525	1.518	1.61	1.86	1.526	1.541	1.525	1.488	1.525	1.484	1.563
Size mm	23.2		29.8			36.4					43			
Weight g	140		160			180					200			



Shenzhen Jinshunlaite Motor.,Ltd.

web: www.aslongdcmotor.com/www.aslongmotor.com

Email: sales@aslongmotor.com



Model: PG28-2430

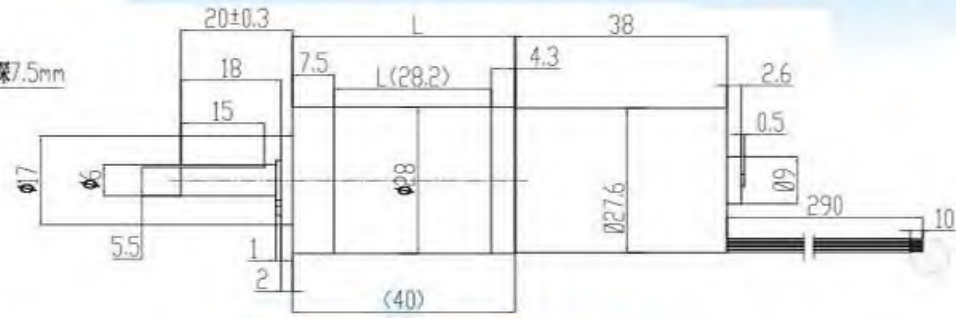
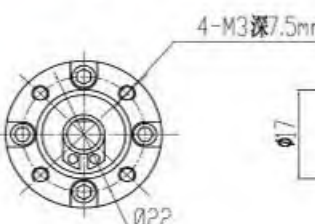


Model	Voltage	No load		Load				Stall	
		Speed	Current	Speed	Current	Torque	Power	Current	Torque
	V	r/min	A	mr/min	A	Kg.cm	W	A	Kg.cm
25-2430-12V1411RPM	12	1411	0.36	888	0.85	0.43	4	1.9	1
25-2430-12V333RPM	12	333	0.18	227	0.76	1.26	3	1.9	3
25-2430-12V79RPM	12	79	0.18	55	0.8	5.5	3.2	1.8	12
25-2430-12V18RPM	12	18	0.16	14	0.83	21	3.1	2.1	46

Shenzhen Jinshunlaite Motor.,Ltd.

web: www.aslongdcmotor.com/www.aslongmotor.com

Email: sales@aslongmotor.com



Model:PG28-2838

Red wire: Power +
 Black wire: Power -
 White wire: CCW/CW
 Yellow wire: FG signal line
 6pcs pluses in every circle
 Blue wire : PWM Governing line
 0-5V speed controller

Voltage		No load		At Load				Stall		Reducer		Weight
Workin g	Rated	Speed	Current	Torque	Speed	Torque	Current	Torque	Current	Ratio	Size	unit
Range	volt.v	rpm	mA	kg.cm	rpm	kg.cm	A	kg.cm	A	1:000	mm	g
15-28V	24	1600	310	1200	946	0.8	8	4	3	5	22.9	150
15-28V	24	320	310	240	946	2.7	8	9.7	3	25	28.7	190
15-28V	24	80	310	60	946	8.9	8	30	3	100	34.4	220
15-28V	24	25	310	19	946	30	8	Blockin g	3	320	40	250
6-12V	12	1600	330	1200	980	1	8.5	5	3	5	22.9	150
6-15V	12	320	330	240	980	3	8.5	10.2	3	25	28.7	190
6-16V	12	80	330	60	980	9	8.5	32	3	100	34.4	220
6-17V	12	25	330	19	980	32	8.5	Blockin g	3	320	40	250





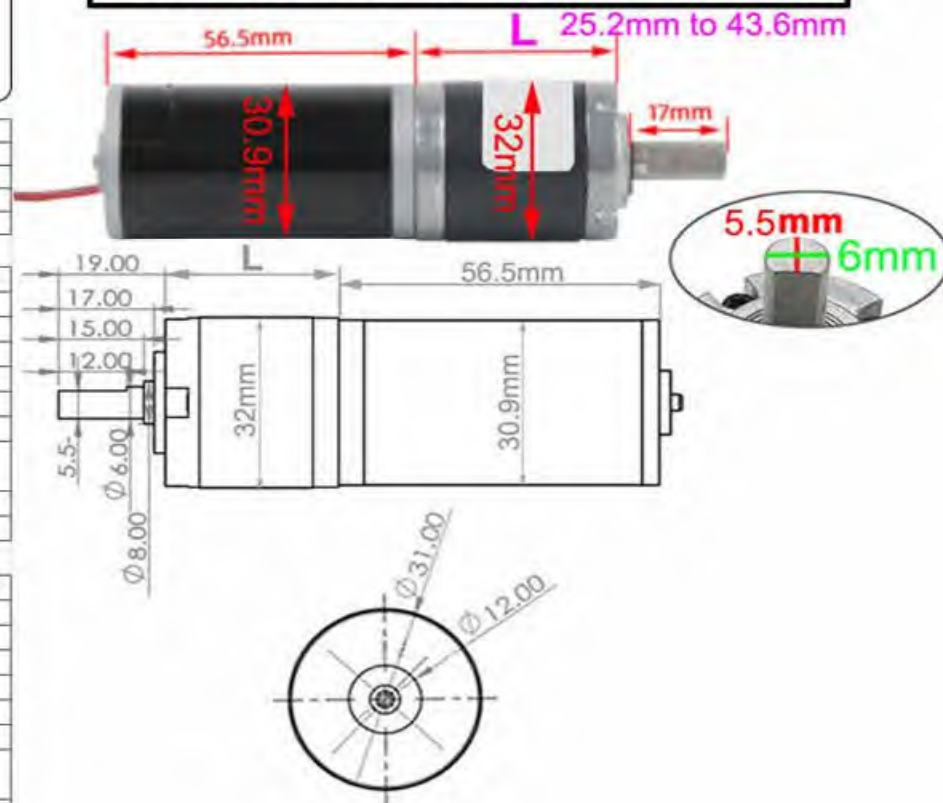
Shenzhen Jinshunlaite Motor.,Ltd.
 web : www.aslongdcmotor.com/www.aslongmotor.com
 Email : sales@aslongmotor.com



Model:PG32-31ZY



Shaft Diameter 6MM



Model	Voltage V	No load		Rated torque				Stall						
		Speed r/min	Current A	Speed r/min	Current A	Torque g.cm	Power W	Current A	Torque g.cm					
31ZY-1280	12	8000	0.25	6900	1	0.06	4.3	6	900					
31ZY-2480	24	8000	0.15	6900	0.5	0.12	8.6	3.5	1000					
CM32-31ZY-1280														
Reduction ratio	3.353	4.636	11.243	15.544	21.492	37.696	52.12	72.064	99.639	126.396	174.76	241.632	334.09	461.927
No load r/min	2386	1726	712	515	372	212	153	111	80	63	46	33	24	17
No load A	0.3	0.3	0.3	0.3	0.3	0.3	0.3	0.3	0.3	0.3	0.3	0.3	0.3	0.3
Rated KG.CM	0.52	0.56	1.33	2.05	2.3	4.22	5	7.13	8.35	14.46	14.88	19.85	32.61	33.12
Rated r/min	1786	1361	580	417	312	181	136	94	73	52	40	31.0	20	16
Load current A	1.829	1.397	1.416	1.478	1.312	1.327	1.055	1.169	1.179	1.593	1.339	1.136	1.507	1.181
Output power W	9.72	7.98	8.07	8.94	7.47	8	7.1	7	6.37	7.93	6.21	6.4	6.89	5.37
Stall torque KG.CM	2	2.5	5.7	7.8	10	20	27.28	35	47	54	Ban stall			
Stall current A	5.784	5.168	6	5.486	5.663	5.77	5.756	5.315	5.431	5.421				
L size mm	23.2		29.8		36.4				43					
Weight g	230		260		290				320					
CM32-31ZY-2480														
Reduction ratio	3.353	4.636	11.243	15.544	21.492	37.696	52.12	72.064	99.639	126.396	174.76	241.632	334.09	461.927
No load r/min	2386	1726	712	515	372	212	153	111	80	63	46	33	24	17
No load A	0.2	0.2	0.2	0.2	0.2	0.2	0.2	0.2	0.2	0.2	0.2	0.2	0.2	0.2
Rated KG.CM	0.8	1.13	2.48	3.61	3.73	4.25	5.07	8.21	10.8	19.9	30	42	44.5	47
Rated r/min	1948	1270	547	388	277	176	142	98	69	51	35	25	18	14
Load current A	0.729	1.04	0.968	1.103	1.038	0.677	0.624	0.63	0.681	1.042	1.146	1.17	0.873	0.857
Output power W	9.72	15	14.2	14.65	10.83	7.84	7.52	8.4	7.85	10.6	11.24	11.22	8.39	6.9
Stall torque KG.CM	3	3.5	7	10	14	23	32	46	59	Ban stall				
Stall current A	3.448	3.617	3.226	3.365	3.43	3.285	3.533	3.34	3.402					
L size mm	23.2		29.8		36.4				43					
Weight g	230		260		290				320					

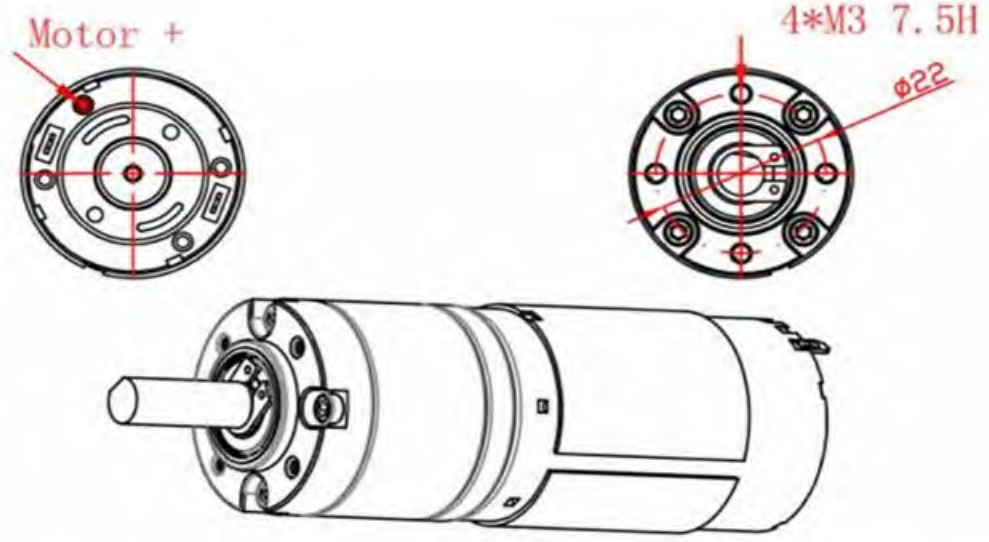
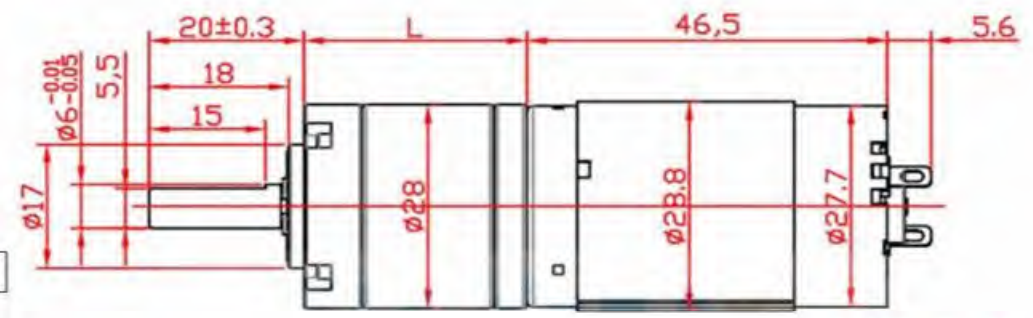


Shenzhen Jinshunlaite Motor.,Ltd.
 web : www.aslongdcmotor.com/www.aslongmotor.com
 Email : sales@aslongmotor.com



Model:PG28-395B

Voltage		No load		At Load				Stall		Reducer		Weight
Workin g	Rated	Speed	Current	Torque	Speed	Torque	Current	Torque	Current	Ratio	Size	unit
Range	volt.v	rpm	mA	kg.cm	rpm	kg.cm	A	kg.cm	A	1:000	mm	g
15-28V	24	1600	310	1200	946	0.8	8	4	3	5	22.9	150
15-28V	24	320	310	240	946	2.7	8	9.7	3	25	28.7	190
15-28V	24	80	310	60	946	8.9	8	30	3	100	34.4	220
15-28V	24	25	310	19	946	30	8	Blockin g	3	320	40	250
6-12V	12	1600	330	1200	980	1	8.5	5	3	5	22.9	150
6-15V	12	320	330	240	980	3	8.5	10.2	3	25	28.7	190
6-16V	12	80	330	60	980	9	8.5	32	3	100	34.4	220
6-17V	12	25	330	19	980	32	8.5	Blockin g	3	320	40	250





Shenzhen Jinshunlaite Motor.,Ltd.

web : www.aslongdcmotor.com/www.aslongmotor.com

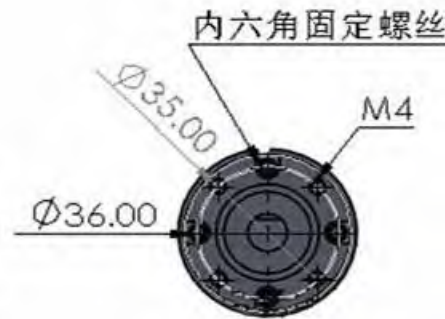
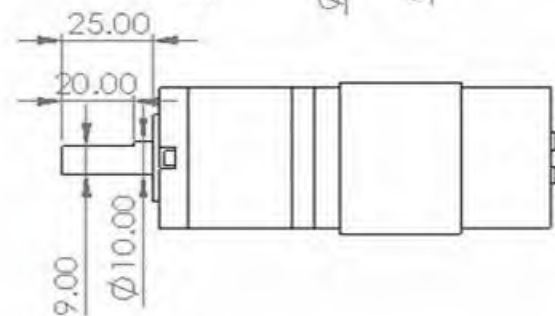
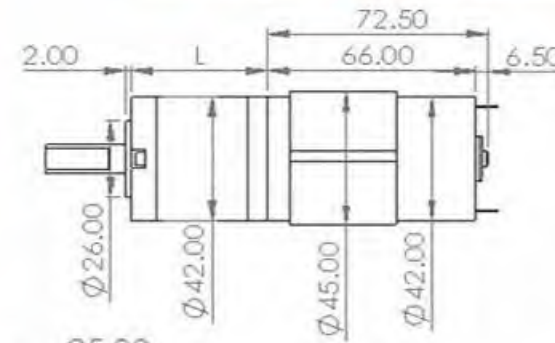
Email : sales@aslongmotor.com



Model:PG42-775

Voltage		No load		Rated Load				Max Load	
Rated voltage	Ratio	Speed ±10%	Current	Speed ±10%	Current	Torque	Out Power	Torque	Current
v	1:X	rpm	mA	rpm	A	kgf.cm	W	kgf.cm	A
12v	5.2	960	0.5	720	2	3.5	24	10	10
	14	357		268		6.5		20	
	27	185		139		15		30	
	50	100		75		30		65	
	70	70		53		45		75	
	100	50		38		50		85	
	139	35		26		60		100	

Voltage		No load		Rated Load				Max Load	
Rated voltage	Ratio	Speed ±10%	Current	Speed ±10%	Current	Torque	Out Power	Torque	Current
v	1:X	rpm	mA	rpm	A	kgf.cm	W	kgf.cm	A
24v	5.2	960	0.3	720	1.5	3.5	36	10	7.5
	14	357		268		6.5		20	
	27	185		139		15		30	
	50	100		75		30		65	
	70	70		53		45		75	
	100	50		38		50		85	
	139	35		26.3		60		100	





Shenzhen Jinshunlaite Motor.,Ltd.

web : www.aslongdcmotor.com/www.aslongmotor.com

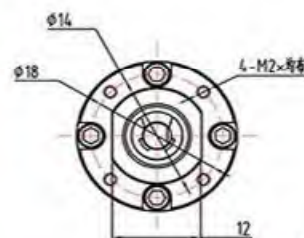
Email : sales@aslongmotor.com



Model:PG22-2230

Voltage		No load		Load Torque				Stall		Reducer		Weight
Working	Rated	Speed	Current	Speed	Current	Torque	Output	Torque	Current	Ratio	Size	unit
Rang	volt.v	rpm	mA	rpm	mA	kg.cm	W	kg.cm	A	1:00	mm	g
6-	12V	2571	90	2057	178	0.14	4.2	1	3.2	3.5	14	70
6-	12V	1895	90	1516	178	0.2	4.2	1.3	3.2	4.75		
6-	12V	750	90	600	178	0.5	4.2	3.3	3.2	12	17.5	76
6-	12V	563	90	450	178	0.7	4.2	4.4	3.2	16		
6-	12V	375	90	300	178	1	4.2	6.6	3.2	24	21	85
6-	12V	184	90	147	178	2	4.2	8.5	3.2	49		
6-	12V	84	90	67	178	4.3	4.2	8.5	3.2	107	24.5	92
6-	12V	63	90	50	178	6	4.2	18.5	3.2	144		
6-	12V	44	90	35	178	8.3	4.2	25	3.2	204	ban	510
6-	12V	30	90	24	178	12.5	4.2	ban	3.2	304		
6-	12V	18	90	14	178	16	4.2	ban	3.2	510		
12-	24V	2571	60	2057	150	0.14	4	1	2.8	3.5	14	70
12-	24V	1895	60	1516	150	0.2	4	1.3	2.8	4.75		
12-	24V	750	60	600	150	0.5	4	3.3	2.8	12	17.5	76
12-	24V	563	60	450	150	0.7	4	4.4	2.8	16		
12-	24V	375	60	300	150	1	4	6.6	2.8	24	21	85
12-	24V	184	60	147	150	2	4	8.5	2.8	49		
12-	24V	84	60	67	150	4.3	4	8.5	2.8	107	24.5	92
12-	24V	63	60	50	150	6	4	18.5	2.8	144		
12-	24V	44	60	35	150	8.3	4	25	2.8	204	ban	510
12-	24V	30	60	24	150	12.5	4	ban	2.8	304		
12-	24V	18	60	14	150	16	4	ban	2.8	510		

Motor engine and shaft
Can be customized



PG22-2230 Planetary gear motor

12V 24V 9000rpm

Metal gear

Wear-resistant

Factory supply

can be customized



Shenzhen Jinshunlaite Motor.,Ltd.

web: www.aslongdcmotor.com/www.aslongmotor.com

Email: sales@aslongmotor.com



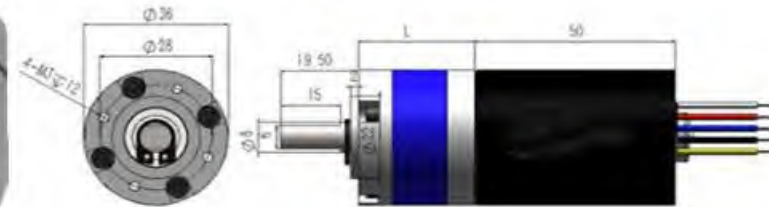
Model: PG36-3650

Rated voltage V	Reduction ratio	No load			Rated			Stall		Gearbox length MM	Weight G
		Speed R/MIN	Current MA	Torque Kg.cm	Speed R/MIN	Current MA	Torque Kg.cm	Current A			
12V	3.7	1600	230	0.7	1300	1300	3.2	4	26.6	666	
	5.18	1200	230	1	1000	1300	4.6	4			
	14	430	230	3	360	1300	10.7	4			
	27	230	230	5	195	1300	20.7	4	32.6	735	
	50	120	230	9	100	1300	38	4			
	71	85	230	13	75	1300	46	4	38.7	800	
	100	60	230	18	52	1300	65	4			
	139	45	230	20	40	1300	90	4			
	189	32	230	26	24	1300	110	4			
	24V	263	23	230	36	17	1300	150	4	44.8	875
369		16	230	51	12	1300	4	4			
516		12	230	71	9	1300	禁止堵转	4			
721		8	230	100	6	1300	禁止堵转	4			
3.7		1600	130	0.7	1300	670	5	4	26.6		
5.18	1200	130	1	1000	670	7	4				
24V	14	430	130	3	360	670	17.5	4	32.6	735	
	27	220	130	5	195	670	34	4			
	50	120	130	9	100	670	63	4	38.7	800	
	71	85	130	13	75	670	90	4			
	100	60	130	18	52	670	126	4			
	139	45	130	20	40	670	175	4			
	189	32	130	26	24	670	4	4	44.8	875	
	263	23	130	36	17	670	4	4			
	369	16	130	51	12	670	禁止堵转	4			
	516	12	130	71	9	670	禁止堵转	4			
721	8	130	100	6	670	禁止堵转	4				



waring: Forbidden to connect wrong M + and M- ,and
Yellow wire to living

- Motor +
- Motor -
- 0-5v Pwm speed governing
- 6pcs PPR
- with motor - ,motor ccw; white is off , motor cw



Shenzhen Jinshunlaite Motor.,Ltd.

web : www.aslongdcmotor.com/www.aslongmotor.com

Email : sales@aslongmotor.com

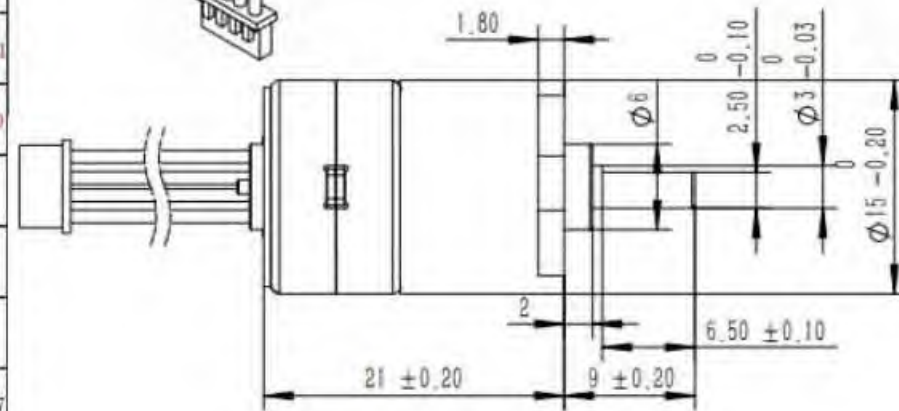
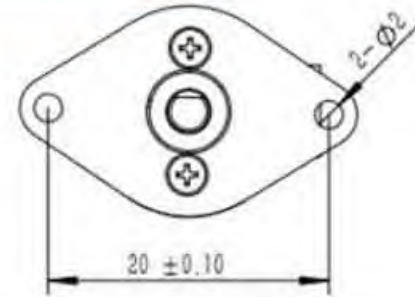
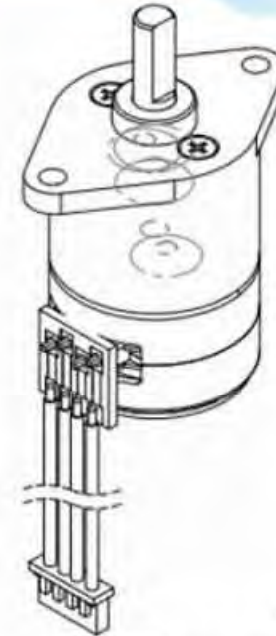
ASLONG®



Mddel:JGM12-15BY

GM12-15BY Stepper Gear Motor

Volt	DC5.0V	Reststance	40 Ω ±7%	stepper Angle	18° /STEP	Motor speed	2400RPM								
Phrase	2 Phrase 4 wires														
MAX. Starting Frequency	600 PPS min (At 5.0V DC)														
MAX. Slewing Frequency	800 PPS min (At 5.0V DC)														
Pull in Torque	4gf.cm min (At 700PPS 5.0V DC)														
Pull out Torque	5gf.cm min (At 700PPS 5.0V DC)														
Ratio	5: 1	10: 1	20: 1	30: 1	50: 1	100: 1	150: 1	210: 1	250: 1	298: 1	380: 1	420: 1	500: 1	600: 1	1000: 1
Precision ratio	4.995	9.677	20.501	29.120	51.103	99.002	150.948	210.591	250.111	297.924	387.689	421.296	506.155	599.394	998.990
output speed RPM	480.5	248.0	117.1	82.4	47.0	24.2	15.9	11.4	9.6	8.1	6.2	5.7	4.7	4.0	2.4
output stepper Angel	3.6°	1.86°	0.88°	0.62°	0.35°	0.18°	0.12°	0.09°	0.07°	0.06°	0.05°	0.04°	0.04°	0.03°	0.02°
pull in torque after reduction g.cm	8.99	17.42	36.90	52.42	91.99	178.20	271.71	379.06	450.20	536.26	697.84	758.33	809.85	959	1598
pull out torque after reduction g.cm	11.239	21.773	46.127	65.52	114.98	222.75	339.63	473.8298	562.75	670.33	872.3	947.92	1138.8	1348.6	2247.7

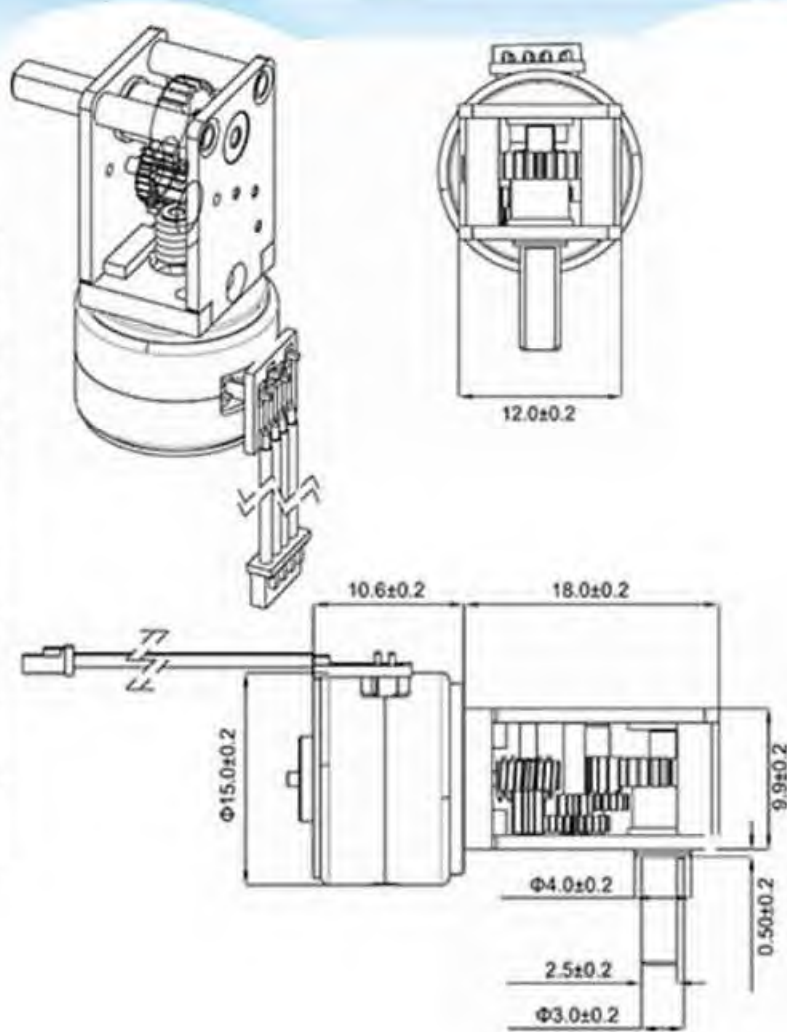




Shenzhen Jinshunlaite Motor., Ltd.
 web : www.aslongdcmotor.com/www.aslongmotor.com
 Email : sales@aslongmotor.com



Mdel:JGY-15BY



Voltage	DC5V		Resistance	40Ω±7%		Step angle	18° /Step		Motor speed	2400rpm
Phase	2phase 4 wire									
Max.starting frequency			600 PPS min (AT 5V DC)							
Max.slewing frequency			800 PPS min (AT 5V DC)							
Full in torque			4gf.cm min(AT 700PPS 5V DC)							
Full out torque			5gf.cm min(AT 700PPS 5V DC)							
Reduction radio	21:1	42:1	118:1	236:1	302:1	603:1	875:1	1030:1		
Accurate speed ratio	21	42	118.067	236.133	301.726	603.452	875.005	1030.4		
Output speed RPM	114.3	57.1	20.3	10.2	8	4	2.7	2.3		
Step angle after deceleration	0.86°	0.43°	0.15°	0.07°	0.06°	0.03°	0.02°	0.017°		
Pull in torque after deceleration	21	42	118.1	236.1	301.7	603.5	875	1030.4		
Pull out torque after deceleration	26.25	52.5	147.6	295.2	377.2	754.3	1094	1288		

Shenzhen Jinshunlaite Motor co.,Ltd

ASLONG®

Thank you
for watching

